

bizhub C3100P

User's Guide: Introduction





Table of contents

1 Introduction

1.1	Welcome	1-2
1.2	User's Guides	1-2
	Booklet manuals	1-2
	User's guides included in User's Guide CD-ROM	1-2
1.3	Notations and symbols used in this manual	1-3
	Procedural instruction	1-3
	Symbols used in this manual	1-3
	Product and key names	1-3
	Notations of application names	1-3
1.4	Safety information	1-4
	Warning and precaution symbols	1-4
	Meaning of symbols	1-4
	For EU member states only	1-8
1.5	Legal restrictions on reproduction	1-9

2 Before using this function

2.1	CD-ROM supplied with this machine	2-2
	Driver & Utilities CD-ROM	2-2
	User's Guide CD-ROM	2-2
2.2	Installation location and environment	2-3
2.2.1	Installation location	2-3
	Front view	2-3
	Right view	2-3
	Right view (with optional devices installed)	2-3
2.2.2	Installation environment	2-4

3 About This Machine

3.1	Checking the name of each part	3-2
	Front side	3-2
	Rear side	3-4
3.2	Checking the option configuration	3-5
	List of optional components	3-5
	Front view (with optional devices installed)	3-6
3.3	Installing optional units	3-7
3.3.1	Installing Lower Feeder Unit (Tray 2)	3-7
	Configuration of Lower Feeder Unit.....	3-7
	Installing the Lower Feeder Unit	3-7

4 Turning the Power ON or OFF

4.1	About power supply	4-2
4.2	Turning the Power Switch ON or OFF	4-3
4.3	Using the Power key	4-4

5 Loading Paper

5.1	Paper	5-2
5.1.1	Checking the available paper types	5-2
5.1.2	Checking the available paper sizes	5-2
5.1.3	Precautions for correct operations	5-3
	Unavailable paper	5-3



	Storing paper	5-4
5.2	Loading paper into the Manual Feed Tray	5-5
	How to load paper into the Manual Feed Tray	5-5
	Loading postcards	5-6
	Loading envelopes	5-6
5.3	Loading paper into Tray 1	5-8
5.4	Loading paper into Tray 2	5-10
6	Control Panel	
6.1	Names and functions of Control Panel keys	6-2
	Deleting jobs	6-3
6.2	Screen layout.....	6-4
6.2.1	Display of the Message Window.....	6-4
6.2.2	Help screen.....	6-4
7	Login Screen	
8	Specifications	
8.1	Checking the specifications of this machine	8-2
8.2	Checking the specifications of optional devices	8-4
	Lower Feeder Unit PF-P14	8-4
	Authentication Unit AU-201	8-4
8.3	Standard operating life of consumables and periodic replacement parts.....	8-5
9	Trademarks and copyrights	
	Trademark acknowledgements.....	9-2
	OpenSSL Statement	9-2
	OpenSLP License	9-4
	Bonjour.....	9-4
	NetSNMP License.....	9-7
	Kerberos.....	9-9
	WPA Supplicant	9-12
	Copyright	9-12
	Note	9-12
	SOFTWARE LICENSE AGREEMENT	9-13
	About Adobe Color Profile	9-14
	ICC Profile for TOYO INK Standard Color on Coated paper (TOYO Offset Coated 3.0).....	9-15
	DIC STANDARD COLOR PROFILE LICENSE AGREEMENT	9-16
	Our Concern for Environmental Protection.....	9-17
10	Index	



Introduction

1 Introduction

1.1 Welcome

Thank you for purchasing this machine.

To obtain maximum performance from this product and to learn how to use it effectively, please read this User's Guide as necessary.

1.2 User's Guides

Booklet manuals

Manual title	Overview
[Installation Guide]	This guide describes the items required to use this machine for the first time, for example, how to place this machine or how to install the printer driver.
[Quick Start Guide]	This guide describes how to perform basic operations of this machine and configure initial settings.
[Safety Information Guide]	This guide describes notes and precautions that should be followed to use this machine. Please be sure to read this manual before using this machine.

User's guides included in User's Guide CD-ROM

Manual title	Overview
[User's Guide: Introduction]	This guide contains information that is useful to know before beginning to operate this machine, such as the name of each part and how to turn the power on and off, use the Control Panel , and load an original or paper.
[User's Guide: Print Functions]	This guide describes how to install the printer driver as well as basic usage and applications.
[User's Guide: Advanced Functions]	This guide describes how to install optional license kits and functions that can be used by installing the license kits.
[User's Guide: Maintenance/Troubleshooting]	This guide describes how to replace consumables, clean this machine, and perform troubleshooting.
[User's Guide: Description of Utility Keys]	This guide describes the Utility settings of this machine.
[User's Guide: Applied Functions]	This guide describes the special usages of this machine such as how to use Web Connection , manually install the printer driver, configure print settings using Linux, and use the authentication unit.

1.3 Notations and symbols used in this manual

Procedural instruction

- ✓ This check mark symbol shows a precondition of a procedure.
- 1 This format number "1" represents the first step.
- 2 This format number represents the order of consecutive steps.
 - This symbol indicates a supplementary explanation of a procedural instruction.

Symbols used in this manual

WARNING

- This symbol indicates that a failure to heed the instructions may lead to death or serious injury.

CAUTION

- This symbol indicates that a failure to heed the instructions may lead to mishandling that may cause injury or property damage.

NOTICE

This symbol indicates a risk that may result in damage to this machine or documents. Follow the instructions to avoid property damage.

Tips

This symbol indicates supplemental information of a topic as well as options required to use a function.

Reference

This symbol indicates reference functions related to a topic.

Related setting

This shows the settings related to a particular topic for any user.

Related setting (for the administrator)

This shows the settings related to a topic only for administrators.

Product and key names

Notations used in this manual	Description
[]	This presents a key name in the Message Window or computer screen, or the name of a user's guide.
Bold text	This presents a key name, part name, product name, or option name on the Control Panel .

Notations of application names

This manual describes application names as shown below.

Application name	Notations used in this manual
PageScope Direct Print	Direct Print
PageScope Web Connection	Web Connection
PageScope Data Administrator	Data Administrator
PageScope Mobile (for iPhone/iPad/Android)	Mobile (for iPhone/iPad/Android)

1.4 Safety information

This section contains detailed instructions on the operation and maintenance of this machine. To achieve optimum utility of this device, all operators should carefully read and follow the instructions in this manual.

Please read the following section before connecting the machine to the supply. It contains important information related to user safety and preventing equipment problems.

Please keep this manual in a handy place near the machine.



Make sure you observe all of the precautions appear in each section of this manual.

Reference







- Some parts of the contents of this section may not correspond with the purchased product.

Warning and precaution symbols

The following indicators are used on the warning labels or in the manuals to categorize the level of safety warnings.



 WARNING	Ignoring this warning could cause serious injury or even death.
 CAUTION	Ignoring this caution could cause injury or damage to property.

Meaning of symbols

-  A triangle indicates a danger against which you should take precaution.
-  This symbol warns against cause burns.
-  A diagonal line indicates a prohibited course of action.
-  This symbol warns against dismantling the device.
-  A solid circle indicates an imperative course of action.
-  This symbol indicates you must unplug the device.



Disassemble and modification

WARNING

- Do not modify this product, as a fire, electrical shock, or breakdown could result. If the product employs a laser, the laser beam source could cause blindness. 
- Do not attempt to remove the covers and panels which have been fixed to the product. Some products have a high-voltage part or a laser beam source inside that could cause an electrical shock or blindness. 

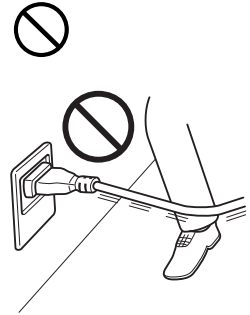
Power cord

WARNING

- Use only the power cord supplied in the package. If a power cord is not supplied, only use the power cord and plug that is specified in POWER CORD INSTRUCTION. Failure to use this cord could result in a fire or electrical shock. 
- Do not use the power cord other than being supplied in the package. If a power cord is not supplied, only use the power cord and plug that is specified in POWER CORD INSTRUCTION. Failure to use this cord could result in a fire or electrical shock. 

Power cord

- Do not scratch, abrade, place a heavy object on, heat, twist, bend, pull on, or damage the power cord. Use of a damaged power cord (exposed core wire, broken wire, etc.) could result in a fire or breakdown. Should any of these conditions be found, immediately turn OFF the power switch, unplug the power cord from the power outlet, and then call your authorized service representative.

**Power source****⚠ WARNING**

- Do not use the power source voltage other than being specified on the machine. Failure to do that could result in a fire or electrical shock.
- Do not use a multiple outlet adapter to connect any other appliances or machines. Use of a power outlet for more than the marked current value could result in a fire or electrical shock.
- Do not use an extension cord in principle. Use of an extension cord could cause a fire or electrical shock. Contact your authorized service representative if an extension cord is required.

**⚠ CAUTION**

- The outlet must be near the equipment and easily accessible. Otherwise you can not pull out the power plug when an emergency occurs.

**Power plug****⚠ WARNING**

- Do not unplug and plug in the power cord with a wet hand, as an electrical shock could result.
- Plug the power cord all the way into the power outlet. Failure to do this could result in a fire or electrical shock.

**⚠ CAUTION**

- Do not place any objects around the power plug, as the power plug may be difficult to pull out when an emergency occurs.
- Do not tug the power cord when unplugging. Pulling on the power cord could damage the cord, resulting in a fire or electrical shock.
- Remove the power plug from the outlet more than one time a year and clean the area between the plug terminals. Dust that accumulates between the plug terminals may cause a fire.

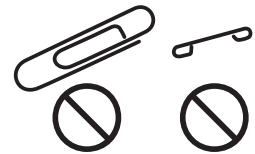


Grounding**⚠ WARNING**

- Make sure to ground this product. (Connect the power cord to an electrical outlet that is equipped with a grounding terminal.) Failure to do so and an unlikely event of leakage could result in a fire or electrical shock.

**Installation****⚠ WARNING**

- Do not place a flower vase or other container that contains water, or metal clips or other small metallic objects on this product. Spilled water or metallic objects dropped inside the product could result in a fire, electrical shock, or breakdown.
Should a piece of metal, water, or any other similar foreign matter get inside the product, immediately turn OFF the power switch, unplug the power cord from the power outlet, and then call your authorized service representative.



- Do not use flammable sprays, liquids, or gases inside or near this machine. Do not clean the inside of this machine using a flammable gas duster. A fire or explosion could result.

**⚠ CAUTION**

- After installing this product, mount it on a secure base. If the unit moves or falls, it may cause personal injury.
- Do not place the product in a dusty place, or a site exposed to soot or steam, near a kitchen table, bath, or a humidifier. A fire, electrical shock, or breakdown could result.
- Do not place this product on an unstable or tilted bench, or in a location subject to a lot of vibration and shock. It could drop or fall, causing personal injury or mechanical breakdown.
- Do not let any object plug the ventilation holes of this product. Heat could accumulate inside the product, resulting in a fire or malfunction.

**Ventilation****⚠ CAUTION**

- Using this product in a poorly ventilated room for a long time or producing a large volume of copies or prints may cause the odor of exhaust air from the machine. Ventilate the room well.



Actions in response to troubles**⚠ WARNING**

- Do not keep using this product, if this product becomes inordinately hot or emits smoke, or unusual odor or noise. Immediately turn OFF the power switch, unplug the power cord from the power outlet, and then call your authorized service representative. If you keep on using it as is, a fire or electrical shock could result.
- Do not keep using this product, if this product has been dropped or its cover damaged. Immediately turn OFF the power switch, unplug the power cord from the power outlet, and then call your authorized service representative. If you keep on using it as is, a fire or electrical shock could result.

**⚠ CAUTION**

- The inside of this product has areas subject to high temperature, which may cause burns. When checking the inside of the unit for malfunctions such as a paper misfeed, do not touch the locations (around the fusing unit, etc.) which are indicated by a "Caution HOT" caution label.

**Consumables****⚠ WARNING**

- Do not throw the toner cartridge or toner into an open flame. The hot toner may scatter and cause burns or other damage.

**⚠ CAUTION**

- Do not leave toner-related parts (toner units, PC drum units, imaging units or developing units) within easy reach of children. Licking any of these parts or ingesting toner could damage your health.
- Do not store toner-related parts (toner units, PC drum units, imaging units or developing units) near devices susceptible to magnetism, such as precision equipment and data storage devices, otherwise they may malfunction. They could cause these products to malfunction.
- Do not force open the toner-related parts (toner units, PC drum units, imaging units or developing units). If toner tumbles from the toner bottle, take utmost care to avoid inhaling it or even getting skin contact.
- If toner lands on your skin or clothing, wash thoroughly with soap and water.
- If you inhale toner, move to a place with fresh air and gargle with a lot of water repeatedly. Should you get symptoms such as coughing, seek medical advice.
- If you get toner into your eyes, immediately rinse them with running water for over 15 minutes. Seek medical advice if irritation persists.
- If you swallow toner, rinse out your mouth and drink a few glasses of water. Seek medical advice if necessary.
- Never touch the electrical contacts of the toner cartridge or the imaging unit, as an electrostatic discharge may damage the product.

**When moving the machine****⚠ CAUTION**

When moving the machine

- Whenever moving this product, be sure to disconnect the power cord and other cables. Failure to do this could damage the cord or cable, resulting in a fire, electrical shock, or breakdown.
- When moving this product, always hold it at the locations specified in the User's Guide or other documents. If the unit is moved while held at locations other than those specified, it may fall, causing severe personal injury.

**When using the machine****⚠ WARNING**

- If you use an implantable medical equipment (cardiac pacemaker, etc.), do not bring the IC card reader close from the implant within 12 cm at all times. The radio waves may affect implantable medical equipment (cardiac pacemaker, etc.) operations.

**⚠ CAUTION**

- When using the machine, do not look at the light of the lamp for a prolonged time. Eyestrain could result.

**Papers****⚠ CAUTION**

- Do not use stapled paper, conductive paper (such as silver paper or carbon paper) or treated heat-sensitive/inkjet paper, otherwise a fire may result.



When the Fax is not installed:

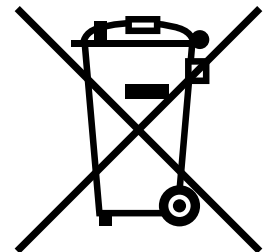
Before successive holidays**⚠ CAUTION**

- Unplug the product when you will not use the product for long periods of time.

**For EU member states only**

This symbol means: Do not dispose of this product together with your household waste!

Please contact the Local Authority for appropriate disposal instructions. In the case of a new device being purchased, the used one can also be given to our dealer for appropriate disposal. Recycling of this product will help to conserve natural resources and prevent potential negative consequences for the environment and human health caused by inappropriate waste handling.



This product complies with RoHS (2002/95/EC) directive.

1.5 Legal restrictions on reproduction

Certain types of originals must never be reproduced with the purpose or intent to pass reproductions of such originals off as the originals.

The following is not a complete list, but is meant to be used as a guide to responsible reproduction.

<Financial Instruments>

- Personal checks
- Traveler's checks
- Money orders
- Certificates of deposit
- Bonds or other certificates of indebtedness
- Stock certificates

<Legal Originals>

- Food stamps
- Postage stamps (canceled or uncanceled)
- Checks or drafts drawn by government agencies
- Internal revenue stamps (canceled or uncanceled)
- Passports
- Immigration papers
- Motor vehicle licenses and titles
- House and property titles and deeds

<General>

- Identification cards, badges, or insignias
- Copyrighted works without permission of the copyright owner

In addition, it is prohibited under any circumstances to reproduce domestic or foreign currencies, or works of art without permission of the copyright owner.

When in doubt about the nature of an original, consult with legal counsel.

NOTICE

This machine provides the forgery prevention function in order to prevent financial instruments from being reproduced illegally.

We appreciate your understanding that printed images may infrequently have some noise or image data may not be stored under certain circumstances due to this forgery prevention function.



Before using this function

2 Before using this function

2.1 CD-ROM supplied with this machine

Driver & Utilities CD-ROM

Item	Overview
[Printer]	The printer driver can be installed. For details, refer to [User's Guide: Print Functions].
[PageScope Utilities]	Various utilities are provided to optimize functions of this machine. Clicking this displays the download page.

User's Guide CD-ROM

Contains various user's guides.

For details on the user's guide types, refer to page 1-2.

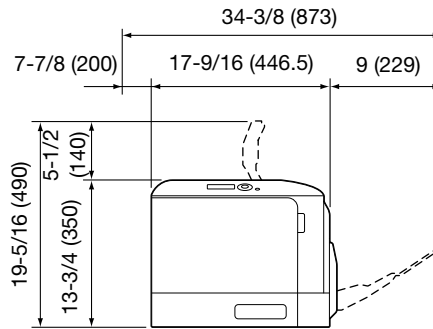
2.2 Installation location and environment

2.2.1 Installation location

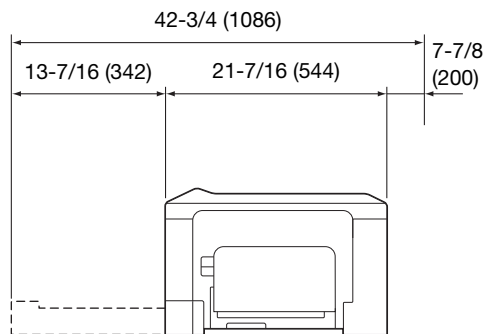
To simplify tasks such as operations, consumable replacement, or inspection, create an installation environment as shown below.

Unit: Inch (mm)

Front view

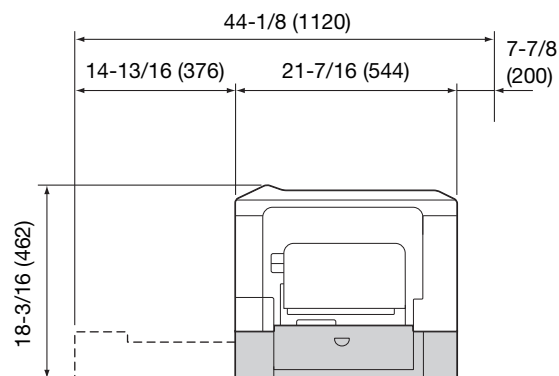


Right view



Right view (with optional devices installed)

The hatched parts indicate optional devices in this figure.



2.2.2 Installation environment

Install this machine in a location that can support its weight, including consumables and paper.

Configuration	Weight
Main unit (including consumables)	Approx. 62-3/8 lb (28.3 kg)
Main unit (including packages)	Approx. 72-3/4 lb (33 kg)

Install this machine in the place shown below.

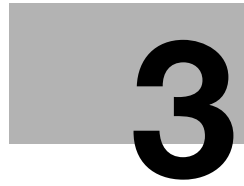
- Stable and horizontal (inclination around this machine: 1 degree or less) location with a hard, even surface
- To check whether the installation location is level, use a normal round pencil. If the pencil rolls, the location is not horizontal. Ensure this machine is horizontal, and make sure that there are no objects such as cables caught under this machine.
- Location close to a dedicated power outlet that is grounded
- Location close to your computer
- Sufficiently spacious location that ensures ease of use and appropriate air ventilation
- Location in which ambient temperature is 50°F to 86°F (10°C to 30°C) and humidity is 15% to 85%

Do not install this machine in the locations described below.

- Location exposed to direct sunlight
- Location in which excessive differences in temperature and humidity are detected due to close proximity to a heater or cooling equipment
- Location exposed to direct flame or combustible materials
- Location close to equipment such as a copy machine or air-conditioner that generates noise, or equipment such as a refrigerator that generates a strong magnetic or electromagnetic force
- Location close to water, water pipes, or fluid (drink) containers, corrosive chemicals, or corrosive gases such as ammonia
- Location in which fine metallic pieces such as clips or staples are scattered
- Location subject to thumping vibrations

Tips

- Do not connect to the same power outlet as that used for a high-current equipment.
- If this machine is installed in or moved to an environment subject to excessive changes in temperature, condensation will form in this machine, which may reduce printing quality. If condensation is detected, leave this machine for approximately 1 hour before using it to adjust to the environment.
- When using a humidifier or vaporizer in the room where this machine is installed, use purified or distilled water. If impurities in water are emitted into the air, they will collect in this machine and reduce printing quality.

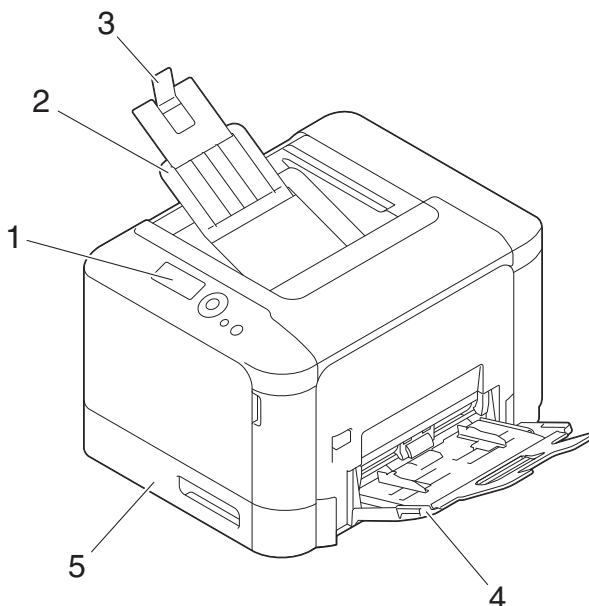


About This Machine

3 About This Machine

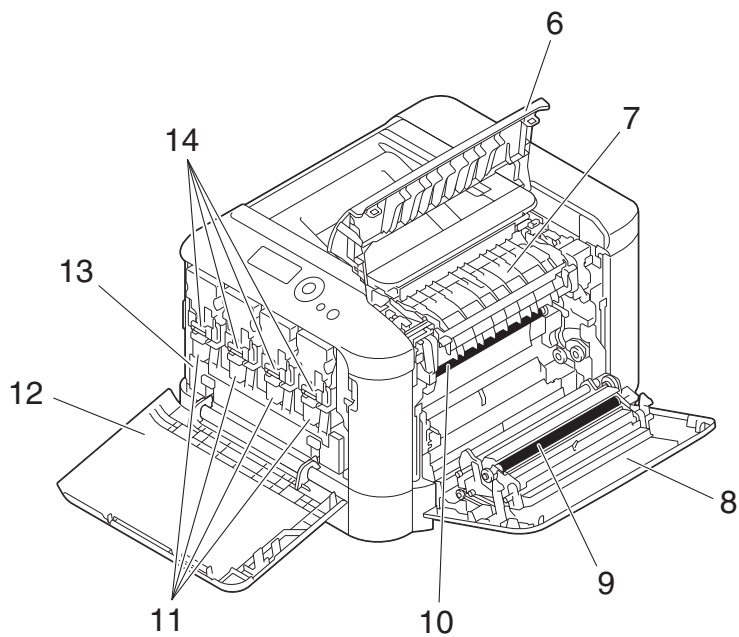
3.1 Checking the name of each part

Front side



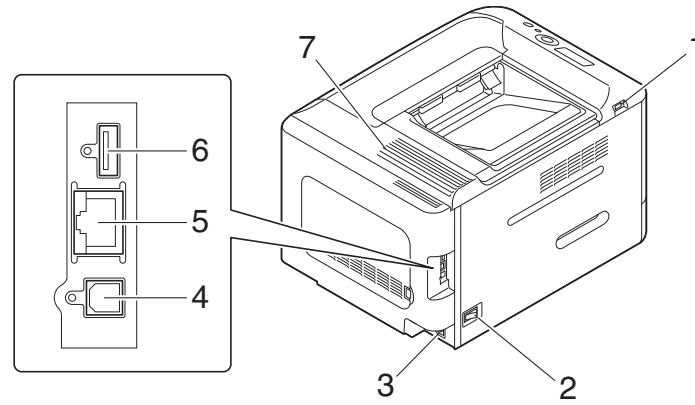
No.	Name
1	Control Panel
2	Output Tray
3	Output Stopper
4	Manual Feed Tray
5	Tray 1

View with **Top Door**, **Front Door**, and **Right Door** opened



No.	Name
6	Top Door
7	Fuser Unit
8	Right Door
9	Transfer Roller
10	Transfer Belt Unit
11	Imaging Unit
12	Front Door
13	Waste Toner Bottle
14	Toner Cartridge

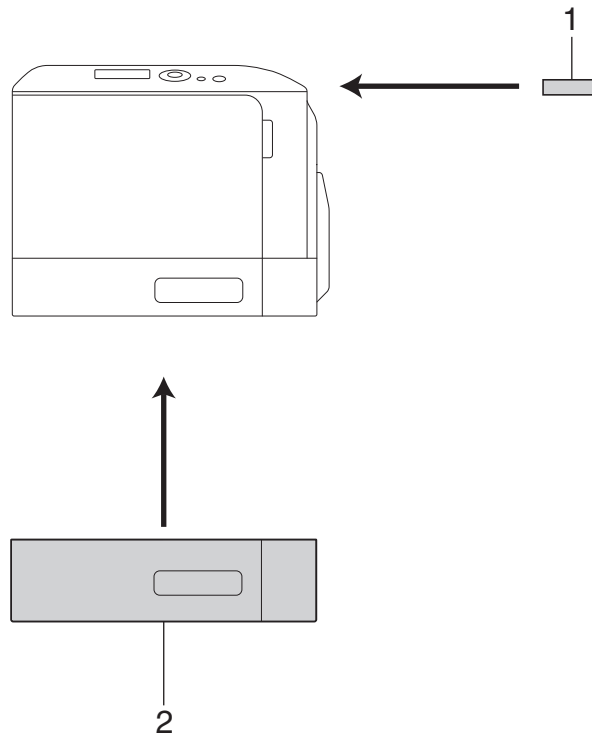
Rear side



No.	Name
1	USB Port (Type A)
2	Power Switch
3	Power Connection
4	USB Port (Type B)
5	Ethernet (LAN) Port (1000Base-T/100Base-TX/10Base-T)
6	USB Port (for authentication unit)
7	Ventilation Grill

3.2 Checking the option configuration

List of optional components

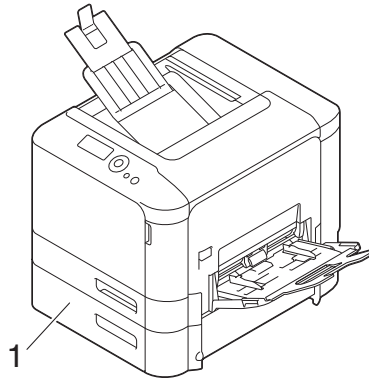


No.	Name	Description
1	Authentication Unit AU-201	Performs user authentication by scanning information recorded on the IC card.
2	Lower Feeder Unit PF-P14	Allows you to load up to 500 sheets.
The following optional components are built into this machine and are not shown in the figure above.		
3	Hard Disk HD-P06	Increases the HDD capacity and extends functions.
4	i-Option LK-106	Used to add a bar code font, which is one of special fonts. This function is available when an optional Hard Disk is installed.
5	i-Option LK-107	Used to add a unicode font, which is one of special fonts. This function is available when an optional Hard Disk is installed.
6	i-Option LK-108	Used to add an OCR font, which is one of special fonts. This function is available when an optional Hard Disk is installed.
7	i-Option LK-111	Supports the ThinPrint function, which is one of a number of advanced functions.



Reference

For details on how to register **i-Option** license kits, refer to Chapter 2 "Registering License Kits" in [User's Guide: Advanced Functions].

Front view (with optional devices installed)

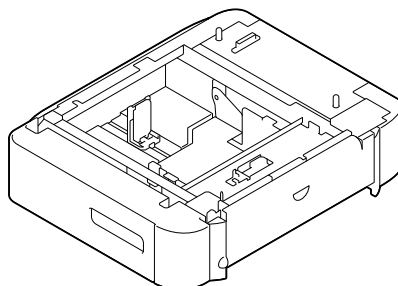
No.	Name
1	Lower Feeder Unit PF-P14 (Tray 2)

3.3 Installing optional units

3.3.1 Installing Lower Feeder Unit (Tray 2)

Configuration of Lower Feeder Unit

Lower Feeder Unit (with 500-sheet paper tray)

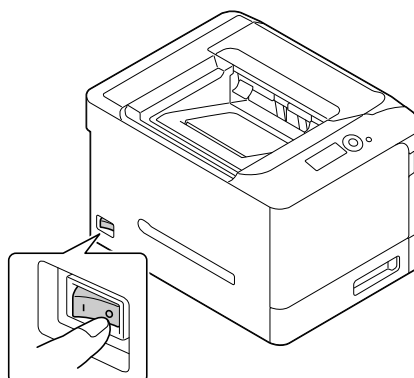


Installing the Lower Feeder Unit

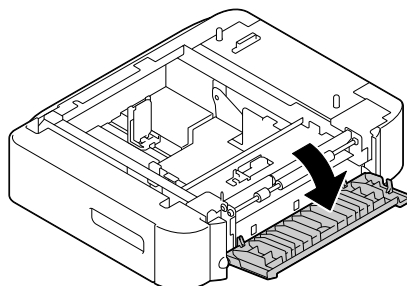
⚠ CAUTION

- This printer contains consumables. When moving the printer, keep it level so that toner does not spill from it.

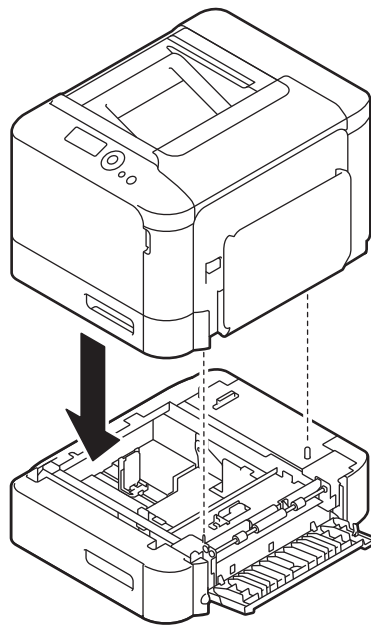
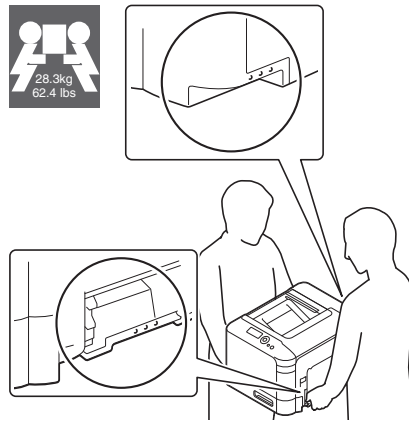
- 1 Turn the printer power off, then remove all cables.



- 2 Prepare the **Lower Feeder Unit**.
 - Be sure to place the **Lower Feeder Unit** on a level surface.
- 3 Open the Right Door of the **Lower Feeder Unit**.
 - Be sure to open the Right Door of the **Lower Feeder Unit** before setting the printer.



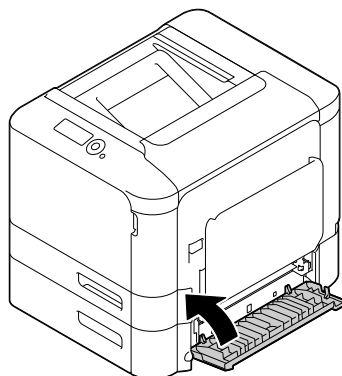
- 4 The printer must be held by two people. Correctly set the **Lower Feeder Unit** by aligning the positioning pins with the pin receiving holes at the bottom of the printer.



NOTICE

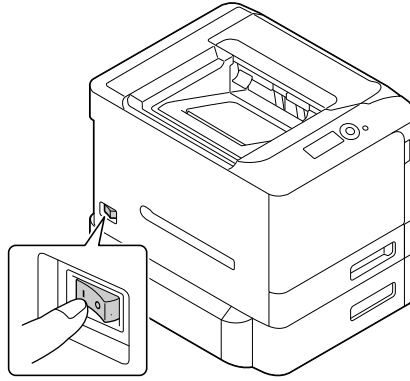
This printer weighs approximately 62-3/8 lb (28.3 kg), including consumables. Two people are always required to lift the printer.

- 5 Close the Right Door of the **Lower Feeder Unit**.



- 6 Connect the interface cable.

- 7 Connect the power cable, then turn the printer power on.



- 8 Select **Menu/Select** - [PRINT REPORTS] - [CONFIGURATION PG] to print out the Configuration Page, then check that the **Lower Feeder Unit** is installed.
- 9 Check that the installed **Lower Feeder Unit** is correctly recognized by the printer driver.
→ For details, refer to [User's Guide: Print Functions].

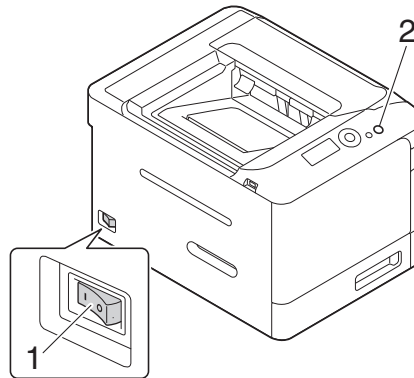
4

Turning the Power ON or OFF

4 Turning the Power ON or OFF

4.1 About power supply

This machine has two power switches: **Power Switch** outside the machine and **Power** key on the **Control Panel**.



No.	Name	Description
1	Power Switch	Press this switch when turning the main power of this machine on or off, or when restarting this machine.
2	Power key	Press this key to switch this machine to Power Save mode. This function reduces power consumption and has more significant power saving effect. For details, refer to page 4-4.

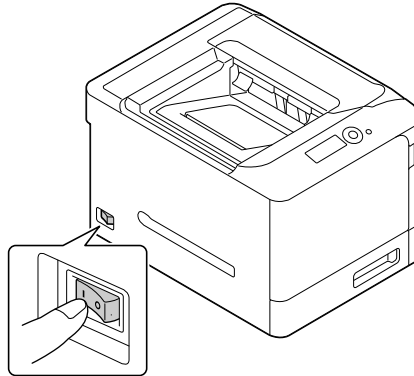
NOTICE

*While printing, do not turn the **Power Switch** off or press the **Power** key. Otherwise, it may lead to a paper jam.*

*If the **Power Switch** is turned off or the **Power** key is pressed while this machine is running, the system deletes the currently loaded data or communicating data as well as queued jobs.*

4.2 Turning the Power Switch ON or OFF

- 1 Connect the **Power Cord** to this machine.
- 2 Connect the **Power Cord** to the power outlet.
- 3 When turning the main power on, press | of the **Power Switch**.



This displays the screen showing that the machine is running the start-up process.

When **Message Window** appears in the [READY], it indicates that this machine is ready to run.

- 4 When turning the main power off, press ○ of the **Power Switch**.

NOTICE

*When restarting this machine, turn the **Power Switch** off and on again after 10 or more seconds have elapsed. Not doing so may result in an operation failure.*

4.3 Using the Power key

Press the **Power** key to switch this machine to Power Save mode.

When the **Power** key is pressed, the status of this machine changes as shown below. Depending on how long the **Power** key is pressed, the state of the power saving mode to be activated will differ.

Power key	Status of this machine	Status of LED	Print	Description
Short press	Sleep	Flash: Blue	Enable	Turns off the backlight of the Message Window to reduce power consumption. The indicator at the top of the Message Window lights up blue. If a print job is received, it is printed while Sleep mode is held in the active state. Operating the Control Panel returns to Normal mode.
	Deep Sleep	Flash: Blue	Enable	Reduces power consumption further than when in Sleep mode. The display of the Message Window is turned off completely. If a print job is received, this machine shifts to Sleep mode to execute the print job, then returns to Deep Sleep mode. The time required to return to Normal mode is longer than that required to return from Sleep mode. To return the machine from Deep Sleep mode to Normal mode, press the Power key again.
Hold down	ErP Auto Power OFF	Flash: Orange	Disable	This function provides a more significant power saving effect than Deep Sleep mode, which is close to the state where the main power is turned off. To enable the machine to return to Normal mode from the ErP Auto Power OFF status, press the Power key again.

Tips

If this machine is switched to Sleep mode in factory settings, it automatically shifts to Deep Sleep mode that reduces power consumption further than when in Sleep mode.

However, this machine cannot be shifted to Deep Sleep mode if:

- An optional **i-Option LK-111** is employed and the ThinPrint function is enabled.
- An optional **Authentication Unit** is connected.

Related setting (for the administrator)

When this machine is in Sleep mode, you can select whether or not to shift to Deep Sleep mode that reduces power consumption further than when in Sleep mode.

To configure settings: **Menu/Select** - [ADMIN SETTINGS] - [SYSTEM SETTINGS] - [POWER SUPPLY] - [CONSUMPTION] (Default: [ENABLED])



Loading Paper

5 Loading Paper

5.1 Paper

5.1.1 Checking the available paper types

Paper type	Paper weight	Paper capacity
Plain paper Recycled paper Two-side unavailable paper ^{*1} Special Paper ^{*2}	15-15/16 lb to 23-15/16 lb (60 g/m ² to 90 g/m ²)	Manual Feed Tray: 100 sheets Tray 1: 250 sheets Lower Feeder Unit (Tray 2): 500 sheets
Thick 1	24-3/16 lb to 39-7/8 lb (91 g/m ² to 150 g/m ²)	Manual Feed Tray: 20 sheets Tray 1: 20 sheets
Thick 2	40-3/16 lb to 55-7/8 lb (151 g/m ² to 210 g/m ²)	Manual Feed Tray: 20 sheets Tray 1: 20 sheets
Glossy paper 1	26-5/8 lb to 34-1/16 lb (100 g/m ² to 128 g/m ²)	Manual Feed Tray: 20 sheets Tray 1: 20 sheets
Glossy paper 2	34-5/16 lb to 42 lb (129 g/m ² to 158 g/m ²)	Manual Feed Tray: 20 sheets Tray 1: 20 sheets
Postcard	-	Manual Feed Tray: 20 sheets Tray 1: 20 sheets
Envelope	-	Manual Feed Tray: 10 sheets
Label sheet	-	Manual Feed Tray: 20 sheets Tray 1: 20 sheets
Letterhead ^{*3}	-	Manual Feed Tray: 20 sheets Tray 1: 20 sheets

^{*1} Paper on which you will not print on both sides (for example, when something has already been printed on the front side).

^{*2} Fine and other special paper.

^{*3} Paper where company names, preset text, and other text have already been printed.

NOTICE

Paper other than plain paper is referred to as special paper. When loading special paper into the paper tray, specify the correct paper type. Otherwise, it may result in a paper jam or image error.

5.1.2 Checking the available paper sizes

Paper feed port	Allowable sizes
Manual Feed Tray	A4, A5, A6, B5 (JIS), B6 Legal (8-1/2 × 14), Letter (8-1/2 × 11), SP Folio (8-1/2 × 12-11/16), Executive (7-1/4 × 10-1/2), Statement/Invoice (5-1/2 × 8-1/2) Foolscap (8 × 13), 8-1/8 × 13-1/4, Folio (8-1/4 × 13), Government Legal (8-1/2 × 13), 8-1/2 × 13-1/2, 16K, Kai 16, Kai 32 Postcard (100 mm × 148 mm), Reply postal card (148 mm × 200 mm) Photo Size 4 × 6 Envelope #10, Western-style envelope #6, Envelope DL, Western-style envelope #2, End-opening envelope #3, End-opening envelope #4 B5 (ISO), UK Quarto (8 × 10), Government letter (8 × 10-1/2) Width: 3-5/8 to 8-1/2 (92 mm to 215.9 mm), Length: 5-13/16 to 14 (148 mm to 355.6 mm)

Paper feed port	Allowable sizes
Tray 1	A4, A5, A6, B5 (JIS), B6 Letter (8-1/2 × 11), Executive (7-1/4 × 10-1/2), Statement/Invoice (5-1/2 × 8-1/2) 16K, Kai 16, Kai 32, Postcard (100 mm × 148 mm), Reply postal card (148 mm × 200 mm) Photo Size 4 × 6 UK Quarto (8 × 10), Government letter (8 × 10-1/2) Width: 3-5/8 to 8-1/2 (92 mm to 216 mm), Length: 5-13/16 to 11-11/16 (148 mm to 297 mm)
Lower Feeder Unit (Tray 2)	A4, B5 (JIS) Legal (8-1/2 × 14), Letter (8-1/2 × 11), Executive (7-1/4 × 10-1/2), Government legal (8-1/2 × 13)
Auto Duplex Unit	A4, B5 (JIS) Legal (8-1/2 × 14), Letter (8-1/2 × 11), SP Folio (8-1/2 × 12-11/16), Executive (7-1/4 × 10-1/2) Foolscap (8 × 13), 8-1/8 × 13-1/4, Folio (8-1/4 × 13), Government legal (8-1/2 × 13), 8-1/2 × 13-1/2, 16K Government letter (8 × 10-1/2), UK Quarto (8 × 10), Kai 16 Width: 7-3/16 to 8-1/2 (182 mm to 216 mm), Length: 10-1/8 to 14 (254 mm to 356 mm)

Tips

- The area, excluding 3/16 inches (4.2 mm) from the paper edge, is used as the printable area on all paper sizes. When configuring a user setting of the page size using the application, specify the paper size within the printable area so that the optimal result is obtained.
- On an envelope, it is only possible to print on the front (address) side. Also, the result of printing on the seal overlapping part on the front side cannot be assured. The area that cannot be assured varies depending on envelope types.
- The page margin setting is determined depending on your application. If the default paper size or margin is selected, there may be some part of the paper that is not able to be printed on. To obtain the optimal result, configure the custom size setting so that an image is included in the printable area of this machine.
- Specify the custom size in the range of the numeric values shown in the table above using the printer driver.
- When custom-size paper over width 8-1/4 inches (210 mm) and length 11 inches (279 mm) is used in **Tray 1**, its trailing edge is loaded in the bent state due to the tray structure (Maximum length 11-11/16 inches (297 mm)). To load such custom-size paper, use the **Manual Feed Tray** or load up to 100 sheets in **Tray 1**.
- In Mac OS X environment, the maximum size of the **Manual Feed Tray** that can be used for 2-sided printing is "width 8-1/2 inches (216 mm) × length 14 inches (355 mm)".

5.1.3 Precautions for correct operations

Unavailable paper

Do not load the following types of paper into the tray. Not observing these precautions may lead to reduced print quality, a paper jam, or machine damage.

- Paper that has been printed on using a heat-transfer printer or an inkjet printer
- Folded, curled, wrinkled, or torn paper
- Paper that has been left unwrapped for a long period of time
- Paper that is damp, perforated, or that has been hole punched
- Extremely smooth or extremely rough paper, or paper with an uneven surface
- Treated paper such as carbon-backed paper, thermal paper, pressure-sensitive paper, or iron-on transfer paper
- Paper that has been decorated with foil or embossing
- Paper of a non-standard shape (paper that is not rectangular)
- Paper that is bound with glue, staples or paper clips
- Paper with labels attached

- Paper with ribbons, hooks, buttons, etc., attached
- Paper with different paper quality (roughness) on the front and back sides
- Paper that is too thin or too thick
- Paper containing static electricity
- Acidic paper
- Other types of unavailable paper

Storing paper

To store paper, be sure to note the following points.

- Store paper on an even, horizontal surface, and do not take the paper out of its packaging until it is loaded into a tray. If paper is left for a long period of time outside its package, it may cause a paper jam.
- When not using paper that has been taken out of its package once, return it to the original package and store it in a horizontal, cool, dark place.
- Do not store paper in locations or in environments that are:
 - Too humid
 - Exposed to direct sunlight
 - Subject to high temperatures (95°F (35°C) or more)
 - Too dusty
- Do not set paper against the other or store it vertically.

Tips

When purchasing a large quantity of paper or special paper, carry out a trial print to check the printing quality in advance.

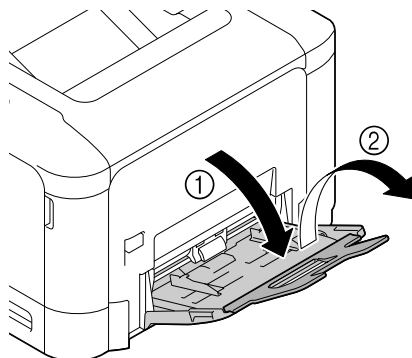
5.2 Loading paper into the Manual Feed Tray

How to load paper into the Manual Feed Tray

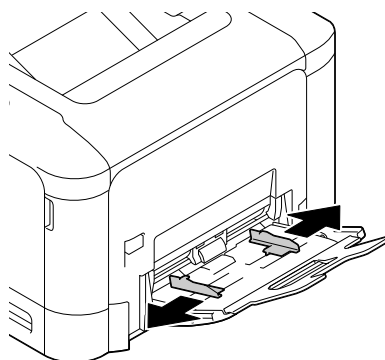
When selecting a paper size other than for paper trays, use the **Manual Feed Tray**.

To use the **Manual Feed Tray**, load paper and specify the paper type.

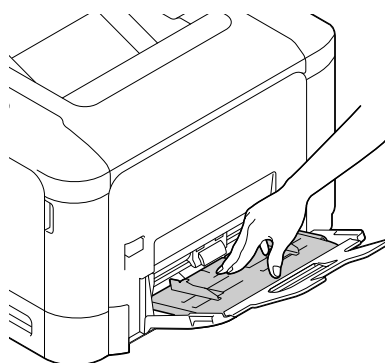
- 1 Open the **Manual Feed Tray**.



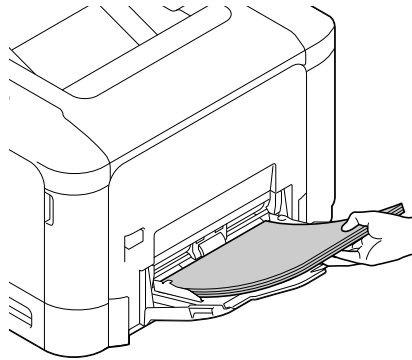
- 2 Spread out the paper guide.



- 3 Push up the center of the flip-top plate until the lock latches (white) at the right and left are locked.



- 4 With the side to be printed on facing down, insert the paper as far as possible into the feed slot.
 - For details on the available paper sizes, refer to page 5-2.
 - For details on how to load postcards, refer to page 5-6.
 - For details on how to load envelopes, refer to page 5-6.

**NOTICE**

Load paper within the guide indicating the upper limit.

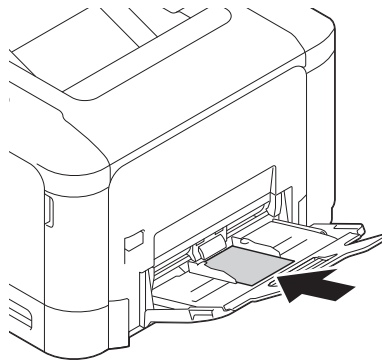
If paper is curled, flatten it before loading.

- 5 Align the paper guide to the paper size.
- 6 Change the paper type and paper size on the **Control Panel**. When loading custom sized paper, also specify the paper size.
 - To configure settings: **Menu/Select** - [PAPER MENU] - [PAPER SOURCE] - [MANUAL]

Loading postcards

Up to 20 postcards can be loaded into the tray at a time.

- 1 With the print side facing down, load a postcard as shown in the figure.



- 2 Align the paper guide to the paper size.
- 3 Change the paper type and paper size on the **Control Panel**.
 - To configure settings: **Menu/Select** - [PAPER MENU] - [PAPER SOURCE] - [MANUAL]

**Reference**

When printing data stored on a computer onto a postcard, use the [Basic] tab of the printer driver to configure settings. For details, refer to [User's Guide: Print Functions].

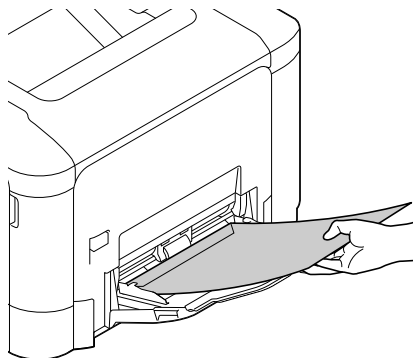
Loading envelopes

Up to 10 envelopes can be loaded into the tray at a time.

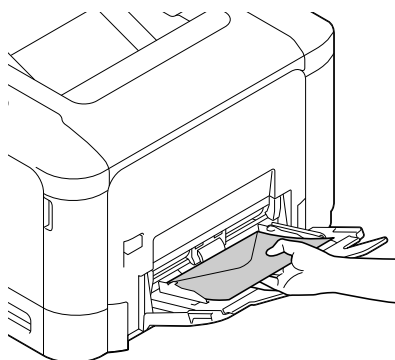
NOTICE

Before loading, remove air from the envelope(s), and securely press along the flap fold line. Otherwise, it will result in wrinkles or a paper jam.

- 1 Position so the flap part is facing up, and load an envelope as shown in the figure.



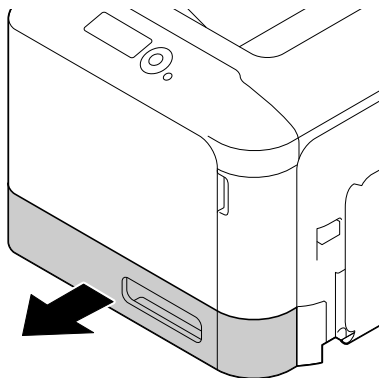
- If a cap is in the long side of an envelope (western-style envelope #2, western-style envelope #6, or envelope DL), load the cap into the machine side.



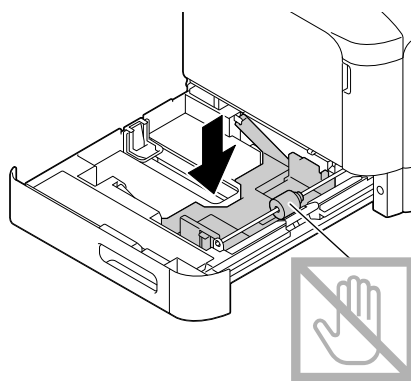
- 2 Align the paper guide to the paper size.
- 3 Change the paper type and paper size on the **Control Panel**.
 - To configure settings: **Menu/Select** - [PAPER MENU] - [PAPER SOURCE] - [MANUAL]

5.3 Loading paper into Tray 1

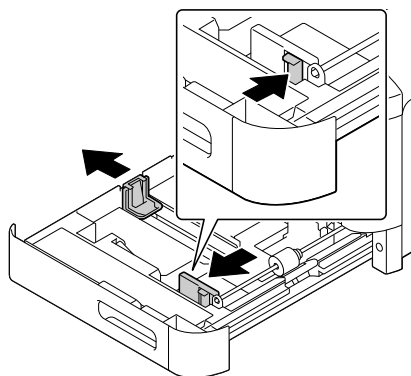
- 1 Pull out Tray 1.



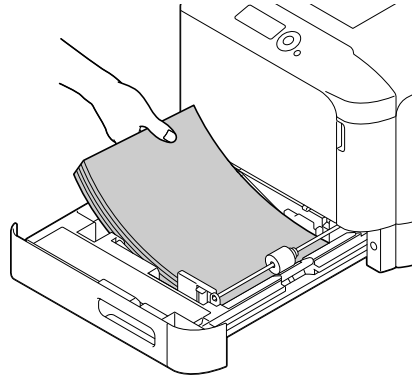
- 2 Press the flip-top plate down until it is locked.



- 3 Spread out the paper guide.



- 4 Load paper into the tray with the print side facing up.
 - For details on the available paper sizes, refer to page 5-2.
 - Load a postcard or reply postal card, turning the short side to the right-hand side of the tray.

**NOTICE**

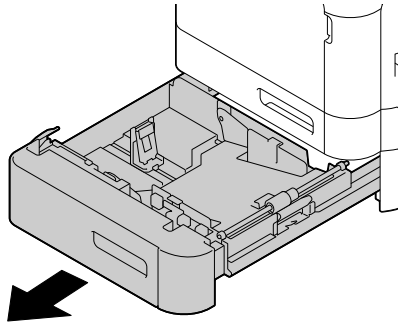
*Do not load the sheets up to the point where the top of the stack is higher than the ▼ mark.
If paper is curled, flatten it before loading.*

- 5 Align the paper guide to the paper size.
- 6 Close **Tray 1**.
- 7 Change the paper type and paper size on the **Control Panel**.
 - To configure settings: **Menu/Select** - [PAPER MENU] - [PAPER SOURCE] - [TRAY 1]

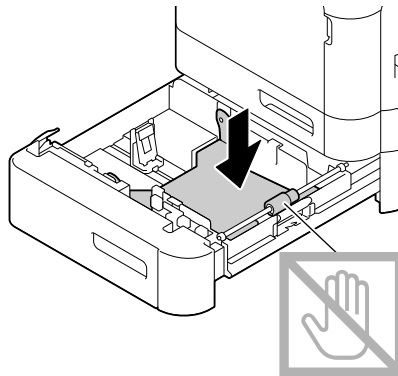
5.4 Loading paper into Tray 2

✓ Tray 2 is available when the optional **Lower Feeder Unit** is installed.

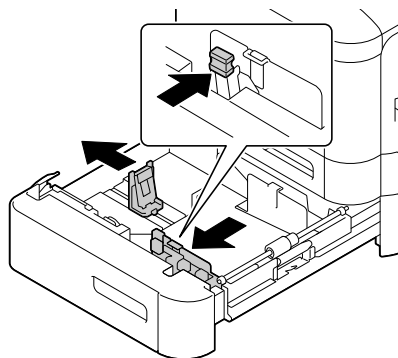
1 Pull out Tray 2.



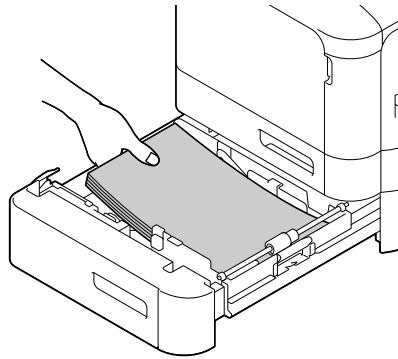
2 Press the flip-top plate down until it is locked.



3 Spread out the paper guide.



- 4 Load paper into the tray with the print side facing up.
 - For details on the available paper sizes, refer to page 5-2.

**NOTICE**

Do not load the sheets up to the point where the top of the stack is higher than the ▼ mark.

If paper is curled, flatten it before loading.

- 5 Align the paper guide to the paper size.
- 6 Close **Tray 2**.
- 7 If necessary, change the paper type on the **Control Panel**.
 - To configure settings: **Menu/Select** - [PAPER MENU] - [PAPER SOURCE] - [TRAY 2]
 - The paper size is automatically set.

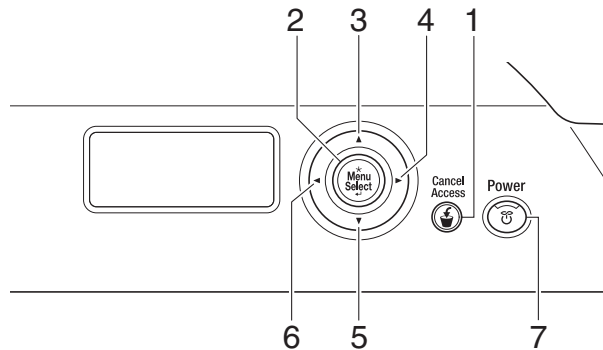









Control Panel

6 Control Panel

6.1 Names and functions of Control Panel keys

The **Control Panel** on the top of this machine allows you to directly operate this machine. The **Message Window** displays a message that indicates the status of this machine or the required operations.



No.	Key	Description
1	<p>Cancel Access</p> 	<ul style="list-style-type: none"> • Cancels the currently displayed menu or a setting change. • When you log in to this machine as a registered user with user authentication enabled, hold down this key on the main screen to log out. • Deletes jobs. For details, refer to page 6-3. <p>Note This key is referred to as Cancel/Access in the manual.</p>
2	<p>* Menu Select</p> 	<ul style="list-style-type: none"> • Displays the Utility screen. • Determines the selected item. <p>Note This key is referred to as Menu/Select in the manual.</p>
3		<ul style="list-style-type: none"> • Moves the cursor up. • On the setting item entry screen, you can increase a numeric value or display the next character in alphabetical order.
4		Moves the cursor right.
5		<ul style="list-style-type: none"> • Moves the cursor down. • On the setting item entry screen, you can decrease a numeric value or display the preceding character in alphabetical order.
6		Moves the cursor left.
7	<p>Power</p> 	<p>Switches this machine to Power Save mode or returns it from Power Save mode.</p> <p>For details on how to use the Power key, refer to page 4-4.</p>

Deleting jobs

When this machine has print jobs, press the **Cancel/Access** key to display the following menu. You can delete the active job or all standby jobs.

Item	Description
[CONTINUE]	Continues printing without deleting jobs.
[CURRENT JOB]	Deletes the active job.
[ALL JOBS]	Deletes all jobs.



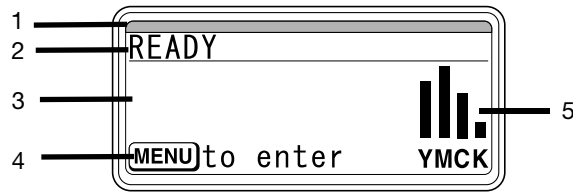
Tips


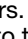

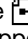
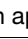
When deleting all standby jobs with user authentication enabled, you need to enter the administrator password after pressing the **Cancel/Access** key on the login screen.

6.2 Screen layout

6.2.1 Display of the Message Window

In this machine, you can view the printer status, approximate toner level, error messages, and other information in the **Message Window**.



No.	Description
1	<p>At the top in the Message Window, the red or blue indicator lights up or flashes to indicate the current status of the printer.</p> <ul style="list-style-type: none"> • Printable: The blue indicator lights up. • Printing: The blue indicator flashes. • Error: The red indicator lights up.
2	<ul style="list-style-type: none"> • Displays the current status of the printer. • When an error or service call occurs, the  icon and the error status are displayed. • If a warning occurs, the  icon appears. • If a USB memory device is connected to the USB port, the  icon appears. • While print jobs are being received from a computer, the  icon appears. While they are being received from a USB memory device, the  icon appears.
3	<ul style="list-style-type: none"> • Displays a message such as a warning. • While print jobs are being received, the user name and printing progress are displayed. • When firmware is being updated, the type of the being updated firmware and update progress are displayed.
4	Displays the key operation guidance.
5	Displays the approximate toner level.

6.2.2 Help screen

If an error such as a paper jam has occurred, press the  key; the help screen appears to help you perform error processing.



Login Screen

7 Login Screen

If user authentication is enabled on this machine, the Login screen appears.

- If an optional **Authentication Unit** is installed, touch the IC card to the **Authentication Unit**. If authentication succeeds, you can log in to this machine.
- If you select [LOGIN] on the Login screen, you are logged in to this machine as a public user.

Tips

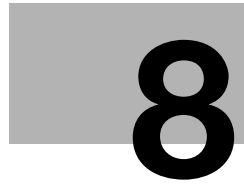
- To employ user authentication, an optional **Hard Disk** is required.
- To employ IC card user authentication, the setting by your service engineer is required in addition to optional **Hard Disk** and **Authentication Unit**. For details, contact your service representative.
- To log out from this machine, hold down the **Cancel/Access** key on the main screen during login.
- If you do not operate this machine for a certain period of time during login, you will be logged out automatically.

Reference

For details on how to configure user authentication settings, refer to Chapter 2 "Configuring the Operating Environment of This Machine" in [User's Guide: Applied Functions].

For details on IC card authentication, refer to Chapter 6 "Using the Authentication Unit (IC Card Type)" in [User's Guide: Applied Functions].

*If an optional **Authentication Unit** is installed, the ID & Print function is available. For details on the ID & Print function, refer to Chapter 2 "Printing in the Windows Environment" or Chapter 3 "Printing in the Mac OS Environment" in [User's Guide: Print Functions].*



Specifications

8 Specifications

8.1 Checking the specifications of this machine

Item	Description	
Name	bizhub C3100P	
Type	Desktop	
Color mode	Full Color	
Writing resolution	600 dpi × 600 dpi (Standard mode) 1200 dpi × 1200 dpi (High quality mode)	
Gradation	256	
Memory size	1 GB	
HDD	320 GB	
Print size	Paper size	Main unit: Width: 3-5/8 to 8-1/2 (92 mm to 216 mm), Length: 5-13/16 to 11-11/16 (148 mm to 297 mm) Manual Feed Tray: Width: 3-5/8 to 8-1/2 (92 mm to 216 mm), Length: 5-13/16 to 14 (148 mm to 356 mm)
	Image chipping width	Leading edge or trailing edge: 3/16 inches (4.2 mm) or less, Left or right: 3/16 inches (4.2 mm) or less
Warm-up time (73.4 °F (23 °C), std. voltage)	Time period from when the Power Switch is turned on to when this machine is ready for printing 120 V: 36 sec. or less 220 V: 39 sec. or less 230 V: 36 sec. or less 240 V: 34 sec. or less	
	Time period from when Sleep mode is released to when this machine is ready for printing while the Power Switch is on 120 V: 35 sec. or less 220 V: 38 sec. or less 230 V: 35 sec. or less 240 V: 33 sec. or less	
First print time	Full color: 12.9 sec. or less, Black: 12.9 sec. or less	
Continuous print speed	31 sheets/min. (A4, plain paper), 32.5 sheets/min. (Letter (8-1/2 × 11), plain paper)	
Paper handling/paper capacity	One paper tray 250 sheets Manual Feed Tray 100 sheets	
Paper weight	Main unit: 15-15/16 lb to 55-7/8 lb (60 g/m ² to 210 g/m ²) Manual Feed Tray: 15-15/16 lb to 55-7/8 lb (60 g/m ² to 210 g/m ²)	
Duplex	Paper size	Width: 7-3/16 to 8-1/2 (182 mm to 216 mm), Length: 10 to 14 (254 mm to 356 mm)
	Paper weight	15-15/16 lb to 55-7/8 lb (60 g/m ² to 210 g/m ²)
Stacking capacity	200 sheets (Plain paper)	
Power supply	AC 110 V, 8.8 A, 60 Hz AC 120 V, 8.8 A, 60 Hz AC 220 V to 240 V, 4.6 A, 50/60 Hz	
Max. power consumption	110 V: 1 kW 120 V: 1.1 kW 220 V to 240 V: 1.2 kW	
Dimensions [W] × [D] × [H]	17-9/16 inches (446.5 mm) × 21-7/16 inches (544 mm) × 13-3/4 inches (350 mm) (Main unit)	

Item	Description
Space Requirements [W] × [D]	27-1/16 inches (688 mm) × 21-7/16 inches (544 mm) (with the Manual Feed Tray opened)
Weight	Approx. 62-3/8 lb (28.3 kg (including consumables))

8.2 Checking the specifications of optional devices

Lower Feeder Unit PF-P14

Item	Specifications
Model number	PF-P14
Paper type	Plain paper, recycled paper (15-15/16 lb to 23-15/16 lb (60 g/m ² to 90 g/m ²))
Paper size	A4, B5 (JIS) Legal (8-1/2 × 14), Letter (8-1/2 × 11), Executive (7-1/4 × 10-1/2), Government legal (8-1/2 × 13)
Paper capacity	500 sheets
Power supply	Supply from machine
Dimensions [W] × [D] × [H]	17-5/8 inches (447 mm) × 20-7/16 inches (519 mm) × 4-5/8 inches (117 mm)
Weight	Approx. 17-5/8 lb (8.0 kg)

Authentication Unit AU-201

Item	Specifications	
Name	Card Authentication Unit AU-201	
Dimensions [W] × [D] × [H]	3-5/8 inches (92 mm) × 2-1/2 inches (64 mm) × 5/8 inches (16 mm)	
Weight	Approx. 1/4 lb (0.1 kg)	
Power supply	Power feeding from USB port	
System conditions (operating state)	Ambient temperature	32°F to 104°F (0°C to 40°C)
	Humidity	20% to 85% (No condensation)
System conditions (non-operating state)	Ambient temperature	-4°F to 122°F (-20°C to 50°C)
	Humidity	20% to 85% (No condensation)
Radio law division	Self-guided read-write communication facility	
Applicable card	FeliCa (IDm), SSFC, FCF, FCF (campus), MIFARE (UID)	
Acquired standard	VCCI class B	
Compatible computer	Computer	PC-AT compatible machine
	CPU	Conforms to the recommended operating environment of your operating system.
	Memory (RAM)	Conforms to the recommended operating environment of your operating system.
	Free space on hard disk	600 MB or more
	Monitor	800 × 600 pixels or more
	Network	Must be configured with the correct TCP/IP or IPX/SPX protocol settings.
	Application	Microsoft Internet Explorer 6.0 (SP1) or later Windows XP: Microsoft .NET Framework 2.0 (SP2 or later) Windows Vista/8/8.1: Microsoft .NET Framework 3.5 (SP1 or later) Windows 7 is equipped with .NET Framework required to operate Data Administrator as the standard.
	Interface	Conforms to USB 1.1.
Supported operating systems	For the supported operating systems, refer to Re-adme.	

8.3 Standard operating life of consumables and periodic replacement parts

Item	Standard average operating life
Print Unit	Approx. 30,000 pages (The continuous printing)
Toner Cartridge	Toner Cartridge supplied with the product: Approx. 5,000 pages (3 pages/job) Toner Cartridge for replacement: Approx. 5,000 pages (3 pages/job)
Waste Toner Bottle	Approx. 6,500 pages (full color)
Secondary Transfer Unit	Approx. 100,000 pages (3 pages/job)
Fuser Unit	Approx. 100,000 pages (3 pages/job)
Transfer Unit	Approx. 100,000 pages (3 pages/job)
Media Feed Roller	Approx. 300,000 pages

Tips

- The above indicates a numeric value for 1-sided printing with A4- or letter-size paper. The actual operating life varies (decreases) depending on printing conditions (printing ratio, paper size, etc.), printing method such as the continuous printing (a print job of four pages on average is optimal for consumables) or the intermittent printing (when a print job of one page is executed multiple times), and the paper type such as thick paper printing. It is also affected by the ambient temperature and humidity.
- In a color printer, all toners are consumed in minute amounts regardless of black and white printing or color printing at the time of initialization by machine power-on or -off or automatic adjustment to maintain printing quality. Even when printing in black and white, color toners are consumed, and their cartridges must be replaced.



Trademarks and copyrights

9 Trademarks and copyrights

Trademark acknowledgements

KONICA MINOLTA, the KONICA MINOLTA logo, Giving Shape to Ideas, PageScope, and bizhub are registered trademarks or trademarks of KONICA MINOLTA, INC.

Mozilla and Firefox are trademarks of the Mozilla Foundation.

Microsoft, Windows, Windows Vista, Windows 7, Windows 8, and Windows 8.1 are either registered trademarks or trademarks of Microsoft Corporation in the United States and/or other countries.

PowerPC is a trademark of IBM Corporation in the United States, or other countries, or both.

In regard to the Citrix Technology Member

KONICA MINOLTA, INC. is a Citrix Technology Member

The Citrix Technology Member is a program that, in combination with a solution of Citrix, promotes and develops solutions in order to be an industry leader in providing customers with better solutions.

XenApp™, Citrix XenServer™ and Citrix Presentation Server™ are trademarks of Citrix®

Apple, Macintosh, Mac OS, and Safari are trademarks of Apple Inc.

CUPS and CUPS logo are trademarks of Apple Inc.

Adobe, the Adobe logo, Acrobat and PostScript are either registered trademarks or trademarks of Adobe Systems Incorporated in the United States and/or other countries.

Ethernet is a registered trademark of Xerox Corporation.

PCL is a registered trademark of Hewlett-Packard Company Limited.

TOYO is a registered trademark of TOYO INK MFG. CO., LTD. in the United States and/or other countries.

DIC and the DIC logo are registered trademarks or trademarks of DIC Corporation in the United States and/or other countries.

IEEE and the IEEE logo are registered trademarks or trademarks of The Institute of Electrical and Electronics Engineers, Inc. in the United States and/or other countries.

ThinPrint is a registered trademark or trademark of Cortado AG in Germany and other countries.

All other product and brand names are trademarks or registered trademarks of their respective companies or organizations.

OpenSSL Statement

OpenSSL License

Copyright ©1998-2006 The OpenSSL Project. All rights reserved.

Redistribution and use in source and binary forms, with or without modification, are permitted provided that the following conditions are met:

1. Redistributions of source code must retain the above copyright notice, this list of conditions and the following disclaimer.
2. Redistributions in binary form must reproduce the above copyright notice, this list of conditions and the following disclaimer in the documentation and/or other materials provided with the distribution.
3. All advertising materials mentioning features or use of this software must display the following acknowledgment:
"This product includes software developed by the OpenSSL Project for use in the OpenSSL Toolkit. (<http://www.openssl.org/>)"
4. The names "OpenSSL Toolkit" and "OpenSSL Project" must not be used to endorse or promote products derived from this software without prior written permission. For written permission, please contact openssl-core@openssl.org.
5. Products derived from this software may not be called "OpenSSL" nor may "OpenSSL" appear in their names without prior written permission of the OpenSSL Project.

6. Redistributions of any form whatsoever must retain the following acknowledgment:
 “This product includes software developed by the OpenSSL Project for use in the OpenSSL Toolkit
 (<http://www.openssl.org/>)”

THIS SOFTWARE IS PROVIDED BY THE OpenSSL PROJECT “AS IS” AND ANY EXPRESSED OR IMPLIED WARRANTIES, INCLUDING, BUT NOT LIMITED TO, THE IMPLIED WARRANTIES OF MERCHANTABILITY AND FITNESS FOR A PARTICULAR PURPOSE ARE DISCLAIMED. IN NO EVENT SHALL THE OpenSSL PROJECT OR ITS CONTRIBUTORS BE LIABLE FOR ANY DIRECT, INDIRECT, INCIDENTAL, SPECIAL, EXEMPLARY, OR CONSEQUENTIAL DAMAGES (INCLUDING, BUT NOT LIMITED TO, PROCUREMENT OF SUBSTITUTE GOODS OR SERVICES; LOSS OF USE, DATA, OR PROFITS; OR BUSINESS INTERRUPTION) HOWEVER CAUSED AND ON ANY THEORY OF LIABILITY, WHETHER IN CONTRACT, STRICT LIABILITY, OR TORT (INCLUDING NEGLIGENCE OR OTHERWISE) ARISING IN ANY WAY OUT OF THE USE OF THIS SOFTWARE, EVEN IF ADVISED OF THE POSSIBILITY OF SUCH DAMAGE.

This product includes cryptographic software written by Eric Young (eay@cryptsoft.com). This product includes software written by Tim Hudson (tjh@cryptsoft.com).

Original SSLeay License

Copyright ©1995-1998 Eric Young (eay@cryptsoft.com) All rights reserved.

This package is an SSL implementation written by Eric Young (eay@cryptsoft.com).

The implementation was written so as to conform with Netscapes SSL.

This library is free for commercial and non-commercial use as long as the following conditions are aheared to. The following conditions apply to all code found in this distribution, be it the RC4, RSA, lhash, DES, etc., code; not just the SSL code.

The SSL documentation included with this distribution is covered by the same copyright terms except that the holder is Tim Hudson (tjh@cryptsoft.com).

Copyright remains Eric Young's, and as such any Copyright notices in the code are not to be removed. If this package is used in a product, Eric Young should be given attribution as the author of the parts of the library used. This can be in the form of a textual message at program startup or in documentation (online or textual) provided with the package.

Redistribution and use in source and binary forms, with or without modification, are permitted provided that the following conditions are met:

1. Redistributions of source code must retain the copyright notice, this list of conditions and the following disclaimer.
2. Redistributions in binary form must reproduce the above copyright notice, this list of conditions and the following disclaimer in the documentation and/or other materials provided with the distribution.
3. All advertising materials mentioning features or use of this software must display the following acknowledgement:
 “This product includes cryptographic software written by Eric Young (eay@crypt-soft.com)”
 The word ‘cryptographic’ can be left out if the rouines from the library being used are not cryptographic related.
4. If you include any Windows specific code (or a derivative thereof) from the apps directory (application code) you must include an acknowledgement:
 “This product includes software written by Tim Hudson (tjh@cryptsoft.com)”

THIS SOFTWARE IS PROVIDED BY ERIC YOUNG “AS IS” AND ANY EXPRESS OR IMPLIED WARRANTIES, INCLUDING, BUT NOT LIMITED TO, THE IMPLIED WARRANTIES OF MERCHANTABILITY AND FITNESS FOR A PARTICULAR PURPOSE ARE DISCLAIMED. IN NO EVENT SHALL THE AUTHOR OR CONTRIBUTORS BE LIABLE FOR ANY DIRECT, INDIRECT, INCIDENTAL, SPECIAL, EXEMPLARY, OR CONSEQUENTIAL DAMAGES (INCLUDING, BUT NOT LIMITED TO, PROCUREMENT OF SUBSTITUTE GOODS OR SERVICES; LOSS OF USE, DATA, OR PROFITS; OR BUSINESS INTERRUPTION) HOWEVER CAUSED AND ON ANY THEORY OF LIABILITY, WHETHER IN CONTRACT, STRICT LIABILITY, OR TORT (INCLUDING NEGLIGENCE OR OTHERWISE) ARISING IN ANY WAY OUT OF THE USE OF THIS SOFTWARE, EVEN IF ADVISED OF THE POSSIBILITY OF SUCH DAMAGE.

The licence and distribution terms for any publically available version or derivative of this code cannot be changed. i.e. this code cannot simply be copied and put under another distribution licence [including the GNU Public Licence.]

OpenSLP License

Copyright ©2000 Caldera Systems, Inc All rights reserved.

Redistribution and use in source and binary forms, with or without modification, are permitted provided that the following conditions are met:

Redistributions of source code must retain the above copyright notice, this list of conditions and the following disclaimer.

Redistributions in binary form must reproduce the above copyright notice, this list of conditions and the following disclaimer in the documentation and/or other materials provided with the distribution.

Neither the name of Caldera Systems nor the names of its contributors may be used to endorse or promote products derived from this software without specific prior written permission.

THIS SOFTWARE IS PROVIDED BY THE COPYRIGHT HOLDERS AND CONTRIBUTORS "AS IS" AND ANY EXPRESS OR IMPLIED WARRANTIES, INCLUDING, BUT NOT LIMITED TO, THE IMPLIED WARRANTIES OF MERCHANTABILITY AND FITNESS FOR A PARTICULAR PURPOSE ARE DISCLAIMED. IN NO EVENT SHALL THE CALDERA SYSTEMS OR CONTRIBUTORS BE LIABLE FOR ANY DIRECT, INDIRECT, INCIDENTAL, SPECIAL, EXEMPLARY, OR CONSEQUENTIAL DAMAGES (INCLUDING, BUT NOT LIMITED TO, PROCUREMENT OF SUBSTITUTE GOODS OR SERVICES; LOSS OF USE, DATA, OR PROFITS; OR BUSINESS INTERRUPTION) HOWEVER CAUSED AND ON ANY THEORY OF LIABILITY, WHETHER IN CONTRACT, STRICT LIABILITY, OR TORT (INCLUDING NEGLIGENCE OR OTHERWISE) ARISING IN ANY WAY OUT OF THE USE OF THIS SOFTWARE, EVEN IF ADVISED OF THE POSSIBILITY OF SUCH DAMAGE.

Bonjour

Apache License

Version 2.0, January 2004

<http://www.apache.org/licenses/>

TERMS AND CONDITIONS FOR USE, REPRODUCTION, AND DISTRIBUTION

1. Definitions.

"License" shall mean the terms and conditions for use, reproduction, and distribution as defined by Sections 1 through 9 of this document.

"Licensor" shall mean the copyright owner or entity authorized by the copyright owner that is granting the License.

"Legal Entity" shall mean the union of the acting entity and all other entities that control, are controlled by, or are under common control with that entity. For the purposes of this definition, "control" means (i) the power, direct or indirect, to cause the direction or management of such entity, whether by contract or otherwise, or (ii) ownership of fifty percent (50%) or more of the outstanding shares, or (iii) beneficial ownership of such entity.

"You" (or "Your") shall mean an individual or Legal Entity exercising permissions granted by this License.

"Source" form shall mean the preferred form for making modifications, including but not limited to software source code, documentation source, and configuration files.

"Object" form shall mean any form resulting from mechanical transformation or translation of a Source form, including but not limited to compiled object code, generated documentation, and conversions to other media types.

"Work" shall mean the work of authorship, whether in Source or Object form, made available under the License, as indicated by a copyright notice that is included in or attached to the work (an example is provided in the Appendix below).

"Derivative Works" shall mean any work, whether in Source or Object form, that is based on (or derived from) the Work and for which the editorial revisions, annotations, elaborations, or other modifications represent, as a whole, an original work of authorship. For the purposes of this License, Derivative Works shall not include works that remain separable from, or merely link (or bind by name) to the interfaces of, the Work and Derivative Works thereof.

“Contribution” shall mean any work of authorship, including the original version of the Work and any modifications or additions to that Work or Derivative Works thereof, that is intentionally submitted to Licensor for inclusion in the Work by the copyright owner or by an individual or Legal Entity authorized to submit on behalf of the copyright owner. For the purposes of this definition, “submitted” means any form of electronic, verbal, or written communication sent to the Licensor or its representatives, including but not limited to communication on electronic mailing lists, source code control systems, and issue tracking systems that are managed by, or on behalf of, the Licensor for the purpose of discussing and improving the Work, but excluding communication that is conspicuously marked or otherwise designated in writing by the copyright owner as “Not a Contribution.”

“Contributor” shall mean Licensor and any individual or Legal Entity on behalf of whom a Contribution has been received by Licensor and subsequently incorporated within the Work.

2. Grant of Copyright License.

Subject to the terms and conditions of this License, each Contributor hereby grants to You a perpetual, worldwide, non-exclusive, no-charge, royalty-free, irrevocable copyright license to reproduce, prepare Derivative Works of, publicly display, publicly perform, sublicense, and distribute the Work and such Derivative Works in Source or Object form.

3. Grant of Patent License.

Subject to the terms and conditions of this License, each Contributor hereby grants to You a perpetual, worldwide, non-exclusive, no-charge, royalty-free, irrevocable (except as stated in this section) patent license to make, have made, use, offer to sell, sell, import, and otherwise transfer the Work, where such license applies only to those patent claims licensable by such Contributor that are necessarily infringed by their Contribution(s) alone or by combination of their Contribution(s) with the Work to which such Contribution(s) was submitted. If You institute patent litigation against any entity (including a cross-claim or counterclaim in a lawsuit) alleging that the Work or a Contribution incorporated within the Work constitutes direct or contributory patent infringement, then any patent licenses granted to You under this License for that Work shall terminate as of the date such litigation is filed.

4. Redistribution.

You may reproduce and distribute copies of the Work or Derivative Works thereof in any medium, with or without modifications, and in Source or Object form, provided that You meet the following conditions:

- a. You must give any other recipients of the Work or Derivative Works a copy of this License; and
- b. You must cause any modified files to carry prominent notices stating that You changed the files; and
- c. You must retain, in the Source form of any Derivative Works that You distribute, all copyright, patent, trademark, and attribution notices from the Source form of the Work, excluding those notices that do not pertain to any part of the Derivative Works; and
- d. If the Work includes a “NOTICE” text file as part of its distribution, then any Derivative Works that You distribute must include a readable copy of the attribution notices contained within such NOTICE file, excluding those notices that do not pertain to any part of the Derivative Works, in at least one of the following places: within a NOTICE text file distributed as part of the Derivative Works; within the Source form or documentation, if provided along with the Derivative Works; or, within a display generated by the Derivative Works, if and wherever such third-party notices normally appear. The contents of the NOTICE file are for informational purposes only and do not modify the License. You may add Your own attribution notices within Derivative Works that You distribute, alongside or as an addendum to the NOTICE text from the Work, provided that such additional attribution notices cannot be construed as modifying the License. You may add Your own copyright statement to Your modifications and may provide additional or different license terms and conditions for use, reproduction, or distribution of Your modifications, or for any such Derivative Works as a whole, provided Your use, reproduction, and distribution of the Work otherwise complies with the conditions stated in this License.

5. Submission of Contributions.

Unless You explicitly state otherwise, any Contribution intentionally submitted for inclusion in the Work by You to the Licensor shall be under the terms and conditions of this License, without any additional terms or conditions. Notwithstanding the above, nothing herein shall supersede or modify the terms of any separate license agreement you may have executed with Licensor regarding such Contributions.

6. Trademarks.

This License does not grant permission to use the trade names, trademarks, service marks, or product names of the Licensor, except as required for reasonable and customary use in describing the origin of the Work and reproducing the content of the NOTICE file.

7. Disclaimer of Warranty.

Unless required by applicable law or agreed to in writing, Licensor provides the Work (and each Contributor provides its Contributions) on an "AS IS" BASIS, WITHOUT WARRANTIES OR CONDITIONS OF ANY KIND, either express or implied, including, without limitation, any warranties or conditions of TITLE, NON-INFRINGEMENT, MERCHANTABILITY, or FITNESS FOR A PARTICULAR PURPOSE. You are solely responsible for determining the appropriateness of using or redistributing the Work and assume any risks associated with Your exercise of permissions under this License.

8. Limitation of Liability.

In no event and under no legal theory, whether in tort (including negligence), contract, or otherwise, unless required by applicable law (such as deliberate and grossly negligent acts) or agreed to in writing, shall any Contributor be liable to You for damages, including any direct, indirect, special, incidental, or consequential damages of any character arising as a result of this License or out of the use or inability to use the Work (including but not limited to damages for loss of goodwill, work stoppage, computer failure or malfunction, or any and all other commercial damages or losses), even if such Contributor has been advised of the possibility of such damages.

9. Accepting Warranty or Additional Liability.

While redistributing the Work or Derivative Works thereof, You may choose to offer, and charge a fee for, acceptance of support, warranty, indemnity, or other liability obligations and/or rights consistent with this License. However, in accepting such obligations, You may act only on Your own behalf and on Your sole responsibility, not on behalf of any other Contributor, and only if You agree to indemnify, defend, and hold each Contributor harmless for any liability incurred by, or claims asserted against, such Contributor by reason of your accepting any such warranty or additional liability.

END OF TERMS AND CONDITIONS

APPENDIX: How to apply the Apache License to your work

To apply the Apache License to your work, attach the following boilerplate notice, with the fields enclosed by brackets "[]" replaced with your own identifying information. (Don't include the brackets!) The text should be enclosed in the appropriate comment syntax for the file format. We also recommend that a file or class name and description of purpose be included on the same "printed page" as the copyright notice for easier identification within third-party archives.

NetSNMP License

Part 1: CMU/UCD copyright notice: (BSD like)

Copyright 1989, 1991, 1992 by Carnegie Mellon University Derivative Work - 1996, 1998-2000

Copyright 1996, 1998-2000 The Regents of the University of California All Rights Reserved

Permission to use, copy, modify and distribute this software and its documentation for any purpose and without fee is hereby granted, provided that the above copyright notice appears in all copies and that both that copyright notice and this permission notice appear in supporting documentation, and that the name of CMU and The Regents of the University of California not be used in advertising or publicity pertaining to distribution of the software without specific written permission.

CMU AND THE REGENTS OF THE UNIVERSITY OF CALIFORNIA DISCLAIM ALL WARRANTIES WITH REGARD TO THIS SOFTWARE, INCLUDING ALL IMPLIED WARRANTIES OF MERCHANTABILITY AND FITNESS. IN NO EVENT SHALL CMU OR THE REGENTS OF THE UNIVERSITY OF CALIFORNIA BE LIABLE FOR ANY SPECIAL, INDIRECT OR CONSEQUENTIAL DAMAGES OR ANY DAMAGES WHATSOEVER RESULTING FROM THE LOSS OF USE, DATA OR PROFITS, WHETHER IN AN ACTION OF CONTRACT, NEGLIGENCE OR OTHER TORTIOUS ACTION, ARISING OUT OF OR IN CONNECTION WITH THE USE OR PERFORMANCE OF THIS SOFTWARE.

Part 2: Networks Associates Technology, Inc copyright notice (BSD)

Copyright ©2001-2003, Networks Associates Technology, Inc

All rights reserved.

Redistribution and use in source and binary forms, with or without modification, are permitted provided that the following conditions are met:

- * Redistributions of source code must retain the above copyright notice, this list of conditions and the following disclaimer.

- * Redistributions in binary form must reproduce the above copyright notice, this list of conditions and the following disclaimer in the documentation and/or other materials provided with the distribution.

- * Neither the name of the Networks Associates Technology, Inc nor the names of its contributors may be used to endorse or promote products derived from this software without specific prior written permission.

THIS SOFTWARE IS PROVIDED BY THE COPYRIGHT HOLDERS AND CONTRIBUTORS "AS IS" AND ANY EXPRESS OR IMPLIED WARRANTIES, INCLUDING, BUT NOT LIMITED TO, THE IMPLIED WARRANTIES OF MERCHANTABILITY AND FITNESS FOR A PARTICULAR PURPOSE ARE DISCLAIMED. IN NO EVENT SHALL THE COPYRIGHT HOLDERS OR CONTRIBUTORS BE LIABLE FOR ANY DIRECT, INDIRECT, INCIDENTAL, SPECIAL, EXEMPLARY, OR CONSEQUENTIAL DAMAGES (INCLUDING, BUT NOT LIMITED TO, PROCUREMENT OF SUBSTITUTE GOODS OR SERVICES; LOSS OF USE, DATA, OR PROFITS; OR BUSINESS INTERRUPTION) HOWEVER CAUSED AND ON ANY THEORY OF LIABILITY, WHETHER IN CONTRACT, STRICT LIABILITY, OR TORT (INCLUDING NEGLIGENCE OR OTHERWISE) ARISING IN ANY WAY OUT OF THE USE OF THIS SOFTWARE, EVEN IF ADVISED OF THE POSSIBILITY OF SUCH DAMAGE.

Part 3: Cambridge Broadband Ltd. copyright notice (BSD)

Portions of this code are copyright ©2001-2003, Cambridge Broadband Ltd.

All rights reserved.

Redistribution and use in source and binary forms, with or without modification, are permitted provided that the following conditions are met:

- * Redistributions of source code must retain the above copyright notice, this list of conditions and the following disclaimer.

- * Redistributions in binary form must reproduce the above copyright notice, this list of conditions and the following disclaimer in the documentation and/or other materials provided with the distribution.

- * The name of Cambridge Broadband Ltd. may not be used to endorse or promote products derived from this software without specific prior written permission.

THIS SOFTWARE IS PROVIDED BY THE COPYRIGHT HOLDER "AS IS" AND ANY EXPRESS OR IMPLIED WARRANTIES, INCLUDING, BUT NOT LIMITED TO, THE IMPLIED WARRANTIES OF MERCHANTABILITY AND FITNESS FOR A PARTICULAR PURPOSE ARE DISCLAIMED.

IN NO EVENT SHALL THE COPYRIGHT HOLDER BE LIABLE FOR ANY DIRECT, INDIRECT, INCIDENTAL, SPECIAL, EXEMPLARY, OR CONSEQUENTIAL DAMAGES (INCLUDING, BUT NOT LIMITED TO, PROCUREMENT OF SUBSTITUTE GOODS OR SERVICES; LOSS OF USE, DATA, OR PROFITS; OR BUSINESS INTERRUPTION) HOWEVER CAUSED AND ON ANY THEORY OF LIABILITY, WHETHER IN CONTRACT, STRICT LIABILITY, OR TORT (INCLUDING NEGLIGENCE OR OTHERWISE) ARISING IN ANY WAY OUT OF THE USE OF THIS SOFTWARE, EVEN IF ADVISED OF THE POSSIBILITY OF SUCH DAMAGE.

Part 4: Sun Microsystems, Inc. copyright notice (BSD)

Copyright ©2003 Sun Microsystems, Inc., 4150 Network Circle, Santa Clara, California 95054, U.S.A. All rights reserved.

Use is subject to license terms below.

This distribution may include materials developed by third parties.

Sun, Sun Microsystems, the Sun logo and Solaris are trademarks or registered trademarks of Sun Microsystems, Inc. in the U.S. and other countries.

Redistribution and use in source and binary forms, with or without modification, are permitted provided that the following conditions are met:

- * Redistributions of source code must retain the above copyright notice, this list of conditions and the following disclaimer.

- * Redistributions in binary form must reproduce the above copyright notice, this list of conditions and the following disclaimer in the documentation and/or other materials provided with the distribution.

- * Neither the name of the Sun Microsystems, Inc. nor the names of its contributors may be used to endorse or promote products derived from this software without specific prior written permission.

THIS SOFTWARE IS PROVIDED BY THE COPYRIGHT HOLDERS AND CONTRIBUTORS "AS IS" AND ANY EXPRESS OR IMPLIED WARRANTIES, INCLUDING, BUT NOT LIMITED TO, THE IMPLIED WARRANTIES OF MERCHANTABILITY AND FITNESS FOR A PARTICULAR PURPOSE ARE DISCLAIMED. IN NO EVENT SHALL THE COPYRIGHT HOLDERS OR CONTRIBUTORS BE LIABLE FOR ANY DIRECT, INDIRECT, INCIDENTAL, SPECIAL, EXEMPLARY, OR CONSEQUENTIAL DAMAGES (INCLUDING, BUT NOT LIMITED TO, PROCUREMENT OF SUBSTITUTE GOODS OR SERVICES; LOSS OF USE, DATA, OR PROFITS; OR BUSINESS INTERRUPTION) HOWEVER CAUSED AND ON ANY THEORY OF LIABILITY, WHETHER IN CONTRACT, STRICT LIABILITY, OR TORT (INCLUDING NEGLIGENCE OR OTHERWISE) ARISING IN ANY WAY OUT OF THE USE OF THIS SOFTWARE, EVEN IF ADVISED OF THE POSSIBILITY OF SUCH DAMAGE.

Part 5: Sparta, Inc copyright notice (BSD)

Copyright ©2003-2004, Sparta, Inc All rights reserved.

Redistribution and use in source and binary forms, with or without modification, are permitted provided that the following conditions are met:

- * Redistributions of source code must retain the above copyright notice, this list of conditions and the following disclaimer.

- * Redistributions in binary form must reproduce the above copyright notice, this list of conditions and the following disclaimer in the documentation and/or other materials provided with the distribution.

- * Neither the name of Sparta, Inc nor the names of its contributors may be used to endorse or promote products derived from this software without specific prior written permission.

THIS SOFTWARE IS PROVIDED BY THE COPYRIGHT HOLDERS AND CONTRIBUTORS "AS IS" AND ANY EXPRESS OR IMPLIED WARRANTIES, INCLUDING, BUT NOT LIMITED TO, THE IMPLIED WARRANTIES OF MERCHANTABILITY AND FITNESS FOR A PARTICULAR PURPOSE ARE DISCLAIMED. IN NO EVENT SHALL THE COPYRIGHT HOLDERS OR CONTRIBUTORS BE LIABLE FOR ANY DIRECT, INDIRECT, INCIDENTAL, SPECIAL, EXEMPLARY, OR CONSEQUENTIAL DAMAGES (INCLUDING, BUT NOT LIMITED TO, PROCUREMENT OF SUBSTITUTE GOODS OR SERVICES; LOSS OF USE, DATA, OR PROFITS; OR BUSINESS INTERRUPTION) HOWEVER CAUSED AND ON ANY THEORY OF LIABILITY, WHETHER IN CONTRACT, STRICT LIABILITY, OR TORT (INCLUDING NEGLIGENCE OR OTHERWISE) ARISING IN ANY WAY OUT OF THE USE OF THIS SOFTWARE, EVEN IF ADVISED OF THE POSSIBILITY OF SUCH DAMAGE.

Part 6: Cisco/BUPTNIC copyright notice (BSD)

Copyright ©2004, Cisco, Inc and Information Network Center of Beijing University of Posts and Telecommunications. All rights reserved.

Redistribution and use in source and binary forms, with or without modification, are permitted provided that the following conditions are met:

- * Redistributions of source code must retain the above copyright notice, this list of conditions and the following disclaimer.

- * Redistributions in binary form must reproduce the above copyright notice, this list of conditions and the following disclaimer in the documentation and/or other materials provided with the distribution.

- * Neither the name of Cisco, Inc, Beijing University of Posts and Telecommunications, nor the names of their contributors may be used to endorse or promote products derived from this software without specific prior written permission.

THIS SOFTWARE IS PROVIDED BY THE COPYRIGHT HOLDERS AND CONTRIBUTORS "AS IS" AND ANY EXPRESS OR IMPLIED WARRANTIES, INCLUDING, BUT NOT LIMITED TO, THE IMPLIED WARRANTIES OF MERCHANTABILITY AND FITNESS FOR A PARTICULAR PURPOSE ARE DISCLAIMED. IN NO EVENT SHALL THE COPYRIGHT HOLDERS OR CONTRIBUTORS BE LIABLE FOR ANY DIRECT, INDIRECT, INCIDENTAL, SPECIAL, EXEMPLARY, OR CONSEQUENTIAL DAMAGES (INCLUDING, BUT NOT LIMITED TO, PROCUREMENT OF SUBSTITUTE GOODS OR SERVICES; LOSS OF USE, DATA, OR PROFITS; OR BUSINESS INTERRUPTION) HOWEVER CAUSED AND ON ANY THEORY OF LIABILITY, WHETHER IN CONTRACT, STRICT LIABILITY, OR TORT (INCLUDING NEGLIGENCE OR OTHERWISE) ARISING IN ANY WAY OUT OF THE USE OF THIS SOFTWARE, EVEN IF ADVISED OF THE POSSIBILITY OF SUCH DAMAGE.

Kerberos

Copyright ©1985-2007 by the Massachusetts Institute of Technology.

All rights reserved.

Export of this software from the United States of America may require a specific license from the United States Government. It is the responsibility of any person or organization contemplating export to obtain such a license before exporting.

WITHIN THAT CONSTRAINT, permission to use, copy, modify, and distribute this software and its documentation for any purpose and without fee is hereby granted, provided that the above copyright notice appear in all copies and that both that copyright notice and this permission notice appear in supporting documentation, and that the name of M.I.T. not be used in advertising or publicity pertaining to distribution of the software without specific, written prior permission. Furthermore if you modify this software you must label your software as modified software and not distribute it in such a fashion that it might be confused with the original MIT software. M.I.T. makes no representations about the suitability of this software for any purpose. It is provided "as is" without express or implied warranty.

THIS SOFTWARE IS PROVIDED "AS IS" AND WITHOUT ANY EXPRESS OR IMPLIED WARRANTIES, INCLUDING, WITHOUT LIMITATION, THE IMPLIED WARRANTIES OF MERCHANTABILITY AND FITNESS FOR A PARTICULAR PURPOSE.

Individual source code files are copyright MIT, Cygnus Support, Novell, OpenVision Technologies, Oracle, Red Hat, Sun Microsystems, FundsXpress, and others.

Project Athena, Athena, Athena MUSE, Discuss, Hesiod, Kerberos, Moira, and Zephyr are trademarks of the Massachusetts Institute of Technology (MIT). No commercial use of these trademarks may be made without prior written permission of MIT.

"Commercial use" means use of a name in a product or other for-profit manner. It does NOT prevent a commercial firm from referring to the MIT trademarks in order to convey information (although in doing so, recognition of their trademark status should be given).

Portions of src/lib/crypto have the following copyright:

Copyright ©1998 by the FundsXpress, INC.

All rights reserved.

Export of this software from the United States of America may require a specific license from the United States Government. It is the responsibility of any person or organization contemplating export to obtain such a license before exporting.

WITHIN THAT CONSTRAINT, permission to use, copy, modify, and distribute this software and its documentation for any purpose and without fee is hereby granted, provided that the above copyright notice appear in all copies and that both that copyright notice and this permission notice appear in supporting documentation, and that the name of FundsXpress. not be used in advertising or publicity pertaining to distribution of the software without specific, written prior permission. FundsXpress makes no representations about the suitability of this software for any purpose. It is provided "as is" without express or implied warranty.

THIS SOFTWARE IS PROVIDED "AS IS" AND WITHOUT ANY EXPRESS OR IMPLIED WARRANTIES, INCLUDING, WITHOUT LIMITATION, THE IMPLIED WARRANTIES OF MERCHANTABILITY AND FITNESS FOR A PARTICULAR PURPOSE.

The implementation of the Yarrow pseudo-random number generator in src/lib/crypto/yarrow has the following copyright:

Copyright 2000 by Zero-Knowledge Systems, Inc.

Permission to use, copy, modify, distribute, and sell this software and its documentation for any purpose is hereby granted without fee, provided that the above copyright notice appear in all copies and that both that copyright notice and this permission notice appear in supporting documentation, and that the name of Zero-Knowledge Systems, Inc. not be used in advertising or publicity pertaining to distribution of the software without specific, written prior permission. Zero-Knowledge Systems, Inc. makes no representations about the suitability of this software for any purpose. It is provided "as is" without express or implied warranty.

ZERO-KNOWLEDGE SYSTEMS, INC. DISCLAIMS ALL WARRANTIES WITH REGARD TO THIS SOFTWARE, INCLUDING ALL IMPLIED WARRANTIES OF MERCHANTABILITY AND FITNESS, IN NO EVENT SHALL ZERO-KNOWLEDGE SYSTEMS, INC. BE LIABLE FOR ANY SPECIAL, INDIRECT OR CONSEQUENTIAL DAMAGES OR ANY DAMAGES WHATSOEVER RESULTING FROM LOSS OF USE, DATA OR PROFITS, WHETHER IN AN ACTION OF CONTRACT, NEGLIGENCE OR OTHER TORTUOUS ACTION, ARISING OUT OF OR IN CONNECTION WITH THE USE OR PERFORMANCE OF THIS SOFTWARE.

The implementation of the AES encryption algorithm in `src/lib/crypto/aes` has the following copyright:

Copyright ©2001, Dr Brian Gladman <brg@gladman.uk.net>, Worcester, UK. All rights reserved.

LICENSE TERMS

The free distribution and use of this software in both source and binary form is allowed (with or without changes) provided that:

1. distributions of this source code include the above copyright notice, this list of conditions and the following disclaimer;
2. distributions in binary form include the above copyright notice, this list of conditions and the following disclaimer in the documentation and/or other associated materials;
3. the copyright holder's name is not used to endorse products built using this software without specific written permission.

DISCLAIMER

This software is provided 'as is' with no explicit or implied warranties in respect of any properties, including, but not limited to, correctness and fitness for purpose.

Portions contributed by Red Hat, including the pre-authentication plug-ins framework, contain the following copyright:

Copyright ©2006 Red Hat, Inc.

Portions copyright ©2006 Massachusetts Institute of Technology

All Rights Reserved.

Redistribution and use in source and binary forms, with or without modification, are permitted provided that the following conditions are met:

- * Redistributions of source code must retain the above copyright notice, this list of conditions and the following disclaimer.
- * Redistributions in binary form must reproduce the above copyright notice, this list of conditions and the following disclaimer in the documentation and/or other materials provided with the distribution.
- * Neither the name of Red Hat, Inc., nor the names of its contributors may be used to endorse or promote products derived from this software without specific prior written permission.

THIS SOFTWARE IS PROVIDED BY THE COPYRIGHT HOLDERS AND CONTRIBUTORS "AS IS" AND ANY EXPRESS OR IMPLIED WARRANTIES, INCLUDING, BUT NOT LIMITED TO, THE IMPLIED WARRANTIES OF MERCHANTABILITY AND FITNESS FOR A PARTICULAR PURPOSE ARE DISCLAIMED. IN NO EVENT SHALL THE COPYRIGHT OWNER OR CONTRIBUTORS BE LIABLE FOR ANY DIRECT, INDIRECT, INCIDENTAL, SPECIAL, EXEMPLARY, OR CONSEQUENTIAL DAMAGES (INCLUDING, BUT NOT LIMITED TO, PROCUREMENT OF SUBSTITUTE GOODS OR SERVICES; LOSS OF USE, DATA, OR PROFITS; OR BUSINESS INTERRUPTION) HOWEVER CAUSED AND ON ANY THEORY OF LIABILITY, WHETHER IN CONTRACT, STRICT LIABILITY, OR TORT (INCLUDING NEGLIGENCE OR OTHERWISE) ARISING IN ANY WAY OUT OF THE USE OF THIS SOFTWARE, EVEN IF ADVISED OF THE POSSIBILITY OF SUCH DAMAGE.

Portions funded by Sandia National Laboratory and developed by the University of Michigan's Center for Information Technology Integration, including the PKINIT implementation, are subject to the following license:

COPYRIGHT ©2006-2007

THE REGENTS OF THE UNIVERSITY OF MICHIGAN

ALL RIGHTS RESERVED

Permission is granted to use, copy, create derivative works and redistribute this software and such derivative works for any purpose, so long as the name of The University of Michigan is not used in any advertising or publicity pertaining to the use of distribution of this software without specific, written prior authorization. If the above copyright notice or any other identification of the University of Michigan is included in any copy of any portion of this software, then the disclaimer below must also be included.

THIS SOFTWARE IS PROVIDED AS IS, WITHOUT REPRESENTATION FROM THE UNIVERSITY OF MICHIGAN AS TO ITS FITNESS FOR ANY PURPOSE, AND WITHOUT WARRANTY BY THE UNIVERSITY OF MICHIGAN OF ANY KIND, EITHER EXPRESS OR IMPLIED, INCLUDING WITHOUT LIMITATION THE IMPLIED WARRANTIES OF MERCHANTABILITY AND FITNESS FOR A PARTICULAR PURPOSE. THE REGENTS OF THE UNIVERSITY OF MICHIGAN SHALL NOT BE LIABLE FOR ANY DAMAGES, INCLUDING SPECIAL, INDIRECT, INCIDENTAL, OR CONSEQUENTIAL DAMAGES, WITH RESPECT TO ANY CLAIM ARISING OUT OF OR IN CONNECTION WITH THE USE OF THE SOFTWARE, EVEN IF IT HAS BEEN OR IS HEREAFTER ADVISED OF THE POSSIBILITY OF SUCH DAMAGES.

The pkcs11.h file included in the PKINIT code has the following license:

Copyright 2006 g10 Code GmbH

Copyright 2006 Andreas Jellinghaus

This file is free software; as a special exception the author gives unlimited permission to copy and/or distribute it, with or without modifications, as long as this notice is preserved.

This file is distributed in the hope that it will be useful, but WITHOUT ANY WARRANTY, to the extent permitted by law; without even the implied warranty of MERCHANTABILITY or FITNESS FOR A PARTICULAR PURPOSE.

WPA Supplicant

Copyright ©2003-2008, Jouni Malinen <j@w1.fi> and contributors All Rights Reserved.

License

This software may be distributed under the terms of BSD license:

Redistribution and use in source and binary forms, with or without modification, are permitted provided that the following conditions are met:

1. Redistributions of source code must retain the above copyright notice, this list of conditions and the following disclaimer.
2. Redistributions in binary form must reproduce the above copyright notice, this list of conditions and the following disclaimer in the documentation and/or other materials provided with the distribution.
3. Neither the name(s) of the above-listed copyright holder(s) nor the names of its contributors may be used to endorse or promote products derived from this software without specific prior written permission.

THIS SOFTWARE IS PROVIDED BY THE COPYRIGHT HOLDERS AND CONTRIBUTORS "AS IS" AND ANY EXPRESS OR IMPLIED WARRANTIES, INCLUDING, BUT NOT LIMITED TO, THE IMPLIED WARRANTIES OF MERCHANTABILITY AND FITNESS FOR A PARTICULAR PURPOSE ARE DISCLAIMED. IN NO EVENT SHALL THE COPYRIGHT OWNER OR CONTRIBUTORS BE LIABLE FOR ANY DIRECT, INDIRECT, INCIDENTAL, SPECIAL, EXEMPLARY, OR CONSEQUENTIAL DAMAGES (INCLUDING, BUT NOT LIMITED TO, PROCUREMENT OF SUBSTITUTE GOODS OR SERVICES; LOSS OF USE, DATA, OR PROFITS; OR BUSINESS INTERRUPTION) HOWEVER CAUSED AND ON ANY THEORY OF LIABILITY, WHETHER IN CONTRACT, STRICT LIABILITY, OR TORT (INCLUDING NEGLIGENCE OR OTHERWISE) ARISING IN ANY WAY OUT OF THE USE OF THIS SOFTWARE, EVEN IF ADVISED OF THE POSSIBILITY OF SUCH DAMAGE.

The WPA Supplicant is provided to Licensee under the terms of the BSD license set forth below and any use of the WPA Supplicant Patch shall comply with the terms and conditions of the following:

Copyright ©2002-2007, Jouni Malinen <j@w1.fi> and contributors

Copyright ©Marvell International Ltd. and its affiliates

All rights reserved.

1. Redistributions in binary form must reproduce the above copyright notice, this list of conditions and the following disclaimer in the documentation and/or other materials provided with the distribution.
2. Neither the name of the copyright owner, Marvell, nor the names of contributors may be used to endorse or promote products derived from this software without specific prior written permission.

THIS SOFTWARE IS PROVIDED BY THE COPYRIGHT HOLDERS AND CONTRIBUTORS "AS IS" AND ANY EXPRESS OR IMPLIED WARRANTIES, INCLUDING, BUT NOT LIMITED TO, THE IMPLIED WARRANTIES OF MERCHANTABILITY AND FITNESS FOR A PARTICULAR PURPOSE ARE DISCLAIMED. IN NO EVENT SHALL THE COPYRIGHT OWNER OR CONTRIBUTORS BE LIABLE FOR ANY DIRECT, INDIRECT, INCIDENTAL, SPECIAL, EXEMPLARY, OR CONSEQUENTIAL DAMAGES (INCLUDING, BUT NOT LIMITED TO, PROCUREMENT OF SUBSTITUTE GOODS OR SERVICES; LOSS OF USE, DATA, OR PROFITS; OR BUSINESS INTERRUPTION) HOWEVER CAUSED AND ON ANY THEORY OF LIABILITY, WHETHER IN CONTRACT, STRICT LIABILITY, OR TORT (INCLUDING NEGLIGENCE OR OTHERWISE) ARISING IN ANY WAY OUT OF THE USE OF THIS SOFTWARE, EVEN IF ADVISED OF THE POSSIBILITY OF SUCH DAMAGE.

Copyright

KONICA MINOLTA, INC. maintains the copyright of the printer drivers.

© 2013 KONICA MINOLTA, INC. All Rights Reserved.

Note

User's Guide may not be reproduced in part or in full without permission.

KONICA MINOLTA, INC. will not be held liable for any incidents caused by using this printing system or User's Guide.

Information included in User's Guide is subject to change without notice.

SOFTWARE LICENSE AGREEMENT

This package contains the following materials provided by KONICA MINOLTA, INC. (KM): software included as part of the printing system ("Printing Software"), the digitally-encoded machine-readable outline data encoded in the special format and in the encrypted form ("Font Programs"), other software which runs on a computer system for use in conjunction with the Printing Software ("Host Software"), and related explanatory written materials ("Documentation"). The term "Software" shall be used to describe Printing Software, Font Programs and/or Host Software and also include any upgrades, modified versions, additions, and copies of the Software.

The Software is being licensed to you under the terms of this Agreement.

KM grants to you a non-exclusive sublicense to use the Software and Documentation, provided that you agree to the following:

1. You may use the Software and accompanying Font Programs for imaging to the licensed output device(s), solely for your own internal business purposes.
2. In addition to the license for Font Programs set forth in Section 1 above, you may use Roman Font Programs to reproduce weights, styles, and versions of letters, numerals, characters and symbols ("Typefaces") on the display or monitor for your own internal business purposes.
3. You may make one backup copy of the Host Software, provided your backup copy is not installed or used on any computer. Notwithstanding the above restrictions, you may install the on any number of computers solely for use with one or more printing systems running the Printing Software.
4. You may assign its rights under this Agreement to an assignee of all of Licensee's right and interest to such Software and Documentation ("Assignee") provided you transfer to Assignee all copies of such Software and Documentation Assignee agrees to be bound by all of the terms and conditions of this Agreement.
5. You agree not to modify, adapt or translate the Software and Documentation.
6. You agree that you will not attempt to alter, disassemble, decrypt, reverse engineer or decompile the Software.
7. Title to and ownership of the Software and Documentation and any reproductions thereof shall remain with KM and its licensor.
8. Trademarks shall be used in accordance with accepted trademark practice, including identification of the trademark owner's name. Trademarks can only be used to identify printed output produced by the Software. Such use of any trademark does not give you any rights of ownership in that trademark.
9. You may not rent, lease, sublicense, lend or transfer versions or copies of the Software Licensee does not use, or Software contained on any unused media, except as part of the permanent transfer of all Software and Documentation as described above.
10. IN NO EVENT WILL KM OR ITS LICENSOR BE LIABLE TO YOU FOR ANY CONSEQUENTIAL, INCIDENTAL INDIRECT, PUNITIVE OR SPECIAL DAMAGES, INCLUDING ANY LOST PROFITS OR LOST SAVING, EVEN IF KM HAS BEEN ADVISED OF THE POSSIBILITY OF SUCH DAMAGES, OR FOR ANY CLAIM BY ANY THIRD PARTY. KM OR ITS LICENSOR DISCLAIMS ALL WARRANTIES WITH REGARD TO THE SOFTWARE, EXPRESS OR IMPLIED, INCLUDING, WITHOUT LIMITATION IMPLIED WARRANTIES OF MERCHANTABILITY, FITNESS FOR A PARTICULAR PURPOSE, TITLE AND NON-INFRINGEMENT OF THIRD PARTY RIGHTS. SOME STATES OR JURISDICTIONS DO NOT ALLOW THE EXCLUSION OR LIMITATION OF INCIDENTAL, CONSEQUENTIAL OR SPECIAL DAMAGES, SO THE ABOVE LIMITATIONS MAY NOT APPLY TO YOU.
11. Notice to Government End Users: The Software is a "commercial item," as that term is defined at 48 C.F.R.2.101, consisting of "commercial computer software" and "commercial computer software documentation," as such terms are used in 48 C.F.R. 12.212. Consistent with 48 C.F.R. 12.212 and 48 C.F.R. 227.7202-1 through 227.7202-4, all U.S. Government End Users acquire the Software with only those rights set forth herein.
12. You agree that you will not export the Software in any form in violation of any applicable laws and regulations regarding export control of any countries.

About Adobe Color Profile

ADOBE SYSTEMS INCORPORATED
COLOR PROFILE LICENSE AGREEMENT

NOTICE TO USER: PLEASE READ THIS CONTRACT CAREFULLY. BY USING ALL OR ANY PORTION OF THE SOFTWARE YOU ACCEPT ALL THE TERMS AND CONDITIONS OF THIS SOFTWARE YOU ACCEPT ALL THE TERMS AND CONDITIONS OF THIS AGREEMENT. IF YOU DO NOT AGREE WITH THE TERMS OF THIS AGREEMENT, DO NOT USE THE SOFTWARE.

1. **DEFINITIONS** In this Agreement, "Adobe" means Adobe Systems Incorporated, a Delaware corporation, located at 345 Park Avenue, San Jose, California 95110. "Software" means the software and related items with which this Agreement is provided.
2. **LICENSE** Subject to the terms of this Agreement, Adobe hereby grants you the worldwide, non-exclusive, nontransferable, royalty-free license to use, reproduce and publicly display the Software. Adobe also grants you the rights to distribute the Software only (a) as embedded within digital image files and (b) on a standalone basis. No other distribution of the Software is allowed; including, without limitation, distribution of the Software when incorporated into or bundled with any application software. All individual profiles must be referenced by their ICC Profile description string. You may not modify the Software. Adobe is under no obligation to provide any support under this Agreement, including upgrades or future versions of the Software or other items. No title to the intellectual property in the Software is transferred to you under the terms of this Agreement. You do not acquire any rights to the Software except as expressly set forth in this Agreement.
3. **DISTRIBUTION** If you choose to distribute the Software, you do so with the understanding that you agree to defend, indemnify and hold harmless Adobe against any losses, damages or costs arising from any claims, lawsuits or other legal actions arising out of such distribution, including without limitation, your failure to comply with this Section 3. If you distribute the Software on a standalone basis, you will do so under the terms of this Agreement or your own license agreement which (a) complies with the terms and conditions of this Agreement; (b) effectively disclaims all warranties and conditions, express or implied, on behalf of Adobe; (c) effectively excludes all liability for damages on behalf of Adobe; (d) states that any provisions that differ from this Agreement are offered by you alone and not Adobe and (e) states that the Software is available from you or Adobe and informs licensees how to obtain it in a reasonable manner on or through a medium customarily used for software exchange. Any distributed Software will include the Adobe copyright notices as included in the Software provided to you by Adobe.
4. **DISCLAIMER OF WARRANTY** Adobe licenses the Software to you on an "AS IS" basis. Adobe makes no representation as to the adequacy of the Software for any particular purpose or to produce any particular result. Adobe shall not be liable for loss or damage arising out of this Agreement or from the distribution or use of the Software or any other materials. ADOBE AND ITS SUPPLIERS DO NOT AND CANNOT WARRANT THE PERFORMANCE OR RESULTS YOU MAY OBTAIN BY USING THE SOFTWARE, EXCEPT FOR ANY WARRANTY, CONDITION, REPRESENTATION OR TERM TO THE EXTENT TO WHICH THE SAME CANNOT OR MAY NOT BE EXCLUDED OR LIMITED BY LAW APPLICABLE TO YOU IN YOUR JURISDICTION, ADOBE AND ITS SUPPLIERS MAKE NO WARRANTIES, CONDITIONS, REPRESENTATIONS OR TERMS, EXPRESS OR IMPLIED, WHETHER BY STATUTE, COMMON LAW, CUSTOM, USAGE OR OTHERWISE AS TO ANY OTHER MATTERS, INCLUDING BUT NOT LIMITED TO NONINFRINGEMENT OF THIRD PARTY RIGHTS, INTEGRATION, SATISFACTORY QUALITY OR FITNESS FOR ANY PARTICULAR PURPOSE. YOU MAY HAVE ADDITIONAL RIGHTS WHICH VARY FROM JURISDICTION TO JURISDICTION. The provisions of Sections 4, 5 and 6 shall survive the termination of this Agreement, howsoever caused, but this shall not imply or create any continued right to use the Software after termination of this Agreement.
5. **LIMITATION OF LIABILITY** IN NO EVENT WILL ADOBE OR ITS SUPPLIERS BE LIABLE TO YOU FOR ANY DAMAGES, CLAIMS OR COSTS WHATSOEVER OR ANY CONSEQUENTIAL, INDIRECT, INCIDENTAL DAMAGES, OR ANY LOST PROFITS OR LOST SAVINGS, EVEN IF AN ADOBE REPRESENTATIVE HAS BEEN ADVISED OF THE POSSIBILITY OF SUCH LOSS, DAMAGES, CLAIMS OR COSTS OR FOR ANY CLAIM BY ANY THIRD PARTY. THE FOREGOING LIMITATIONS AND EXCLUSIONS APPLY TO THE EXTENT PERMITTED BY APPLICABLE LAW IN YOUR JURISDICTION. ADOBE'S AGGREGATE LIABILITY AND THAT OF ITS SUPPLIERS UNDER OR IN CONNECTION WITH THIS AGREEMENT SHALL BE LIMITED TO THE AMOUNT PAID FOR THE SOFTWARE. Nothing contained in this Agreement limits Adobe's liability to you in the event of death or personal injury resulting from Adobe's negligence or for the tort of deceit (fraud). Adobe is acting on behalf of its suppliers for the purpose of disclaiming, excluding and/or limiting obligations, warranties and liability as provided in this Agreement, but in no other respects and for no other purpose.

6. **TRADEMARKS** Adobe and the Adobe logo are the registered trademarks or trademarks of Adobe in the United States and other countries. With the exception of referential use, you will not use such trademarks or any other Adobe trademark or logo without separate prior written permission granted by Adobe.
7. **TERM** This Agreement is effective until terminated. Adobe has the right to terminate this Agreement immediately if you fail to comply with any term hereof. Upon any such termination, you must return to Adobe all full and partial copies of the Software in your possession or control.
8. **GOVERNMENT REGULATIONS** If any part of the Software is identified as an export controlled item under the United States Export Administration Act or any other export law, restriction or regulation (the "Export Laws"), you represent and warrant that you are not a citizen, or otherwise located within, an embargoed nation (including without limitation Iran, Iraq, Syria, Sudan, Libya, Cuba, North Korea, and Serbia) and that you are not otherwise prohibited under the Export Laws from receiving the Software. All rights to use the Software are granted on condition that such rights are forfeited if you fail to comply with the terms of this Agreement.
9. **GOVERNING LAW** This Agreement will be governed by and construed in accordance with the substantive laws in force in the State of California as such laws are applied to agreements entered into and to be performed entirely within California between California residents. This Agreement will not be governed by the conflict of law rules of any jurisdiction or the United Nations Convention on Contracts for the International Sale of Goods, the application of which is expressly excluded. All disputes arising out of, under or related to this Agreement will be brought exclusively in the state Santa Clara County, California, USA.
10. **GENERAL** You may not assign your rights or obligations granted under this Agreement without the prior written consent of Adobe. None of the provisions of this Agreement shall be deemed to have been waived by any act or acquiescence on the part of Adobe, its agents, or employees, but only by an instrument in writing signed by an authorized signatory of Adobe. When conflicting language exists between this Agreement and any other agreement included in the Software, the terms of such included agreement shall apply. If either you or Adobe employs attorneys to enforce any rights arising out of or relating to this Agreement, the prevailing party shall be entitled to recover reasonable attorneys' fees. You acknowledge that you have read this Agreement, understand it, and that it is the complete and exclusive statement of your agreement with Adobe which supersedes any prior agreement, oral or written, between Adobe and you with respect to the licensing to you of the Software. No variation of the terms of this Agreement will be enforceable against Adobe unless Adobe gives its express consent, in writing, signed by an authorized signatory of Adobe.

ICC Profile for TOYO INK Standard Color on Coated paper (TOYO Offset Coated 3.0)

About "ICC Profile for TOYO INK Standard Color on Coated paper version 3.0"

This is the ICC Profile for color reproduction of sheet-fed offset press on Coated paper.

This ICC Profile was developed by TOYO INK MFG. CO., LTD. ("TOYO INK") using printing tests with TOYO INK's Japan Color sheet-fed offset printing inks and TOYO INK's own printing conditions.

"TOYO INK Standard Color on Coated paper" is compatible with "Japan Color 2007".

Agreement

1. The reproduction of images on a printer or a monitor using this ICC Profile do not completely match the TOYO INK Standard Color on Coated paper.
2. Any and all copyrights of this ICC Profile shall remain in TOYO INK; therefore you shall not transfer, provide, rent, distribute, disclose, or grant any rights in this ICC Profile to any third party without the prior written consent of TOYO INK.
3. In no event will TOYO INK its directors, officers, employees or agents be liable to you for any consequential or incidental, either direct or indirect, damages (including damages for loss of business profits, business interruption, loss of business information, and the like) arising out of the use or inability to use this ICC Profile.
4. TOYO INK shall not be responsible for answering any question related to this ICC Profile.
5. All company names and product names used in this document is the trademarks or registered trademarks of their respective holder.

This ICC Profile was made by TOYO INK using X-Rite ProfileMaker and a license to distribute the profile has been granted by X-Rite, Incorporated.

DIC STANDARD COLOR PROFILE LICENSE AGREEMENT

IMPORTANT: PLEASE READ THIS STANDARD COLOR PROFILE LICENSE AGREEMENT ("LICENSE AGREEMENT") CAREFULLY BEFORE USING THE DIC STANDARD COLOR PROFILE, INCLUDING THE DIC STANDARD COLOR SFC1.0.1, DIC STANDARD COLOR SFC1.0.2, DIC STANDARD COLOR SFM1.0.2, DIC STANDARD COLOR SFU1.0.2, PROVIDED BY DIC HEREWITH, AND ANY CORRESPONDING ONLINE OR ELECTRONIC DOCUMENTATION AND ALL UPDATES OR UPGRADES OF THE ABOVE THAT ARE PROVIDED TO YOU (COLLECTIVELY, THE "PROFILE").

THIS LICENSE AGREEMENT IS A LEGAL AGREEMENT BETWEEN YOU (EITHER AN INDIVIDUAL OR, IF ACQUIRED BY OR FOR AN ENTITY, AN ENTITY) AND DAINIPPON INK & CHEMICALS, INC., A JAPANESE COMPANY ("DIC"). THIS LICENSE AGREEMENT PROVIDES A LICENSE TO USE THE PROFILE AND CONTAINS WARRANTY INFORMATION AND LIABILITY DISCLAIMERS. IF YOU DO NOT AGREE TO BE BOUND BY ALL OF THESE TERMS, YOU MAY NOT USE THE PROFILE.

1. **License Grant**
DIC grants you a gratis non-exclusive and non-transferable license to use the Profile and to allow your employees and authorized agents, if any, to use the Profile, solely in connection with their work for you, subject to all of the limitations and restrictions in this License Agreement.
2. **Ownership**
The foregoing license gives you limited license to use the Profile. You will own the rights in the media containing the recorded Profile, but DIC retains all right, title and interest, including all copyright and intellectual property rights, in and to, the Profile and all copies thereof. All rights not specifically granted in this License Agreement, including all copyrights, are reserved by DIC.
3. **Term**
 - a. This License Agreement is effective until terminated.
 - b. You may terminate this License Agreement by notifying DIC in writing of your intention to terminate this License Agreement and by destroying, all copies of the Profile in your possession or control.
 - c. DIC may terminate this License Agreement without prior notice to you if you fail to comply with any of the terms and conditions of this License Agreement (either directly or through your employees or agents), retroactive to the time of such failure to comply. In such event, you must immediately stop using the Profile and destroy all copies of the Profile in your possession or control.
 - d. All provisions in this License Agreement relating to warranty disclaimers (Section 5) and the limitation of liability (Section 6) shall survive any termination of this License Agreement.
4. **License Method and Restrictions**
 - a. You may install and use the Profile on a single desktop computer; provided, however, that, notwithstanding anything contrary contained herein, you may not use the Profile on any network system or share, install or use the Profile concurrently on different computers, or electronically transfer the Profile from one computer to another or over a network.
 - b. You may not make or distribute copies, fix, alter, merge, modify, adapt, sublicense, transfer, sell, rent, lease, gift or distribute all or a portion of the Profile, or modify the Profile or create derivative works based upon the Profile.
 - c. You acknowledge that the Profile is not intended for any usage which may cause death or physical injury or environmental damage and agree not to use the Profile for such usage.
 - d. You shall not use the Profile to develop any software or other technology having the same primary function as the Profile, including but not limited to using the Profile in any development or test procedure that seeks to develop like software or other technology, or to determine if such software or other technology performs in a similar manner as the Profile.
 - e. DIC and other trademarks contained in the Profile are trademarks or registered trademarks of DIC in Japan and/or other countries. You may not remove or alter any trademark, trade names, product names, logo, copyright or other proprietary notices, legends, symbols or labels in the Profile. This License Agreement does not authorize you to use DIC's or its licensors' names or any of their respective trademarks.
5. **WARRANTY DISCLAIMER**
 - a. THE PROFILE IS PROVIDED TO YOU FREE OF CHARGE, AND ON AN "AS-IS" BASIS, IN ACCORDANCE WITH THE TERMS AND COONDITIONS OF THIS LICENSE AGREEMENT. DIC PROVIDES NO TECHNICAL SUPPORT, WARRANTIES OR REMEDIES FOR THE PROFILE.
 - b. DIC DISCLAIMS ALL WARRANTIES AND REPRESENTATIONS, WHETHER EXPRESS, IMPLIED, OR OTHERWISE, INCLUDING BUT NOT LIMITED TO, THE WARRANTIES OF MERCHANTABILITY OR FITNESS FOR A PARTICULAR PURPOSE, NON-INFRINGEMENT, TITLE AND QUIET ENJOYMENT. YOU SHALL ASSUME AND BE FULLY LIABLE AND RESPONSIBLE FOR ALL RISKS IN CONNECTION WITH YOUR USE OF THE PROFILE. DIC DOES NOT WARRANT THAT THE PROFILE IS FREE OF DEFECTS

OR FLAWS OR WILL OPERATE WITHOUT INTERRUPTION, AND IS NOT RESPONSIBLE FOR CORRECTING OR REPAIRING ANY DEFECTS OR FLAWS, FOR FEE OR GRATIS. NO RIGHTS OR REMEDIES WILL BE CONFERRED ON YOU UNLESS EXPRESSLY GRANTED HEREIN.

6. **LIMITATION OF LIABILITY**

DIC SHALL NOT BE LIABLE TO YOU OR ANY THIRD PARTY FOR ANY DIRECT, INDIRECT, SPECIAL, INCIDENTAL, PUNITIVE, COVER OR CONSEQUENTIAL DAMAGES (INCLUDING, BUT NOT LIMITED TO, DAMAGES FOR THE INABILITY TO USE EQUIPMENT OR ACCESS DATA, LOSS OF BUSINESS, LOSS OF PROFITS, BUSINESS INTERRUPTION OR THE LIKE), ARISING OUT OF THE USE OF, OR INABILITY TO USE, THE PROFILE AND BASED ON ANY THEORY OF LIABILITY INCLUDING BREACH OF CONTRACT, BREACH OF WARRANTY, TORT (INCLUDING NEGLIGENCE), PRODUCT LIABILITY OR OTHERWISE, EVEN IF DIC OR ITS REPRESENTATIVES HAVE BEEN ADVISED OF THE POSSIBILITY OF SUCH DAMAGES.

THE FOREGOING LIMITATIONS ON LIABILITY SHALL APPLY TO ALL ASPECTS OF THIS LICENSE AGREEMENT.
7. **General**
 - a. This License Agreement shall be governed and construed in accordance with the laws of Japan, without giving effect to principles of conflict of laws. If any provision of this License Agreement shall be held by a court of competent jurisdiction to be contrary to law, that provision will be enforced to the maximum extent permissible, and the remaining provisions of this License Agreement will remain in full force and effect. You hereby consent to the exclusive jurisdiction and venue of Tokyo District Court to resolve any disputes arising under this License Agreement.
 - b. This License Agreement contains the complete agreement between the parties with respect to the subject matter hereof, and supersedes all prior or contemporaneous agreements or understandings, whether oral or written. You agree that any varying or additional terms contained in any written notification or document issued by you in relation to the Profile licensed hereunder shall be of no effect.
 - c. The failure or delay of DIC to exercise any of its rights under this License Agreement or upon any breach of this License Agreement shall not be deemed a waiver of those rights or of the breach.

Our Concern for Environmental Protection



As an ENERGY STAR® Partner, we have determined that this machine meets the ENERGY STAR Guidelines for energy efficiency.

What is an ENERGY STAR product?

An ENERGY STAR product has a special feature that allows it to automatically switch to a “low-power mode” after a period of inactivity. An ENERGY STAR product uses energy more efficiently, saves you money on utility bills and helps protect the environment.

10

Index

10 Index

C

CD-ROM	2-2
Consumables	8-5
Control Panel	6-2

I

Installation	
Installation environment	2-4
Installation location	2-3

L

Loading paper	
Lower Feeder Unit	5-10
Manual Feed Tray	5-5
Tray 1	5-8

M

Message Window	6-4
----------------------	-----

N

Name of each part	3-2
-------------------------	-----

O

Option configuration	3-5
----------------------------	-----

P

Paper	
Available paper sizes	5-2
Available paper types	5-2
Storing paper	5-4
Unavailable paper	5-3
Power supply	4-2
Power key	4-4
Power Switch	4-3

S

Specifications	8-2
Main unit	8-2
Optional devices	8-4



KONICA MINOLTA

<http://konicaminolta.com>